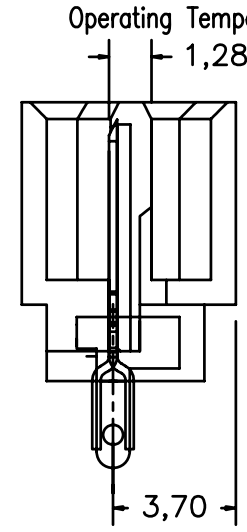
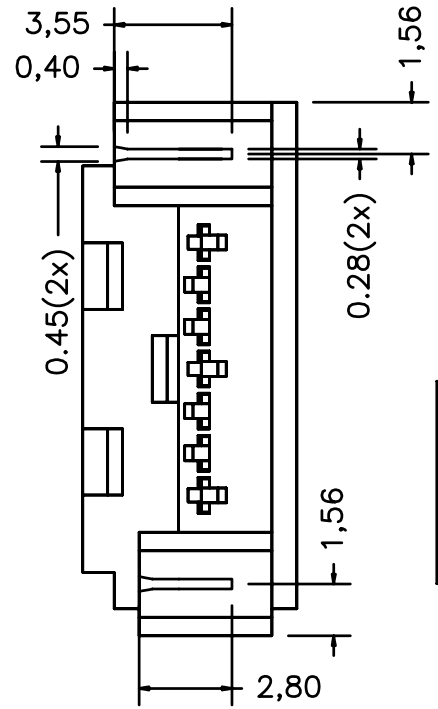
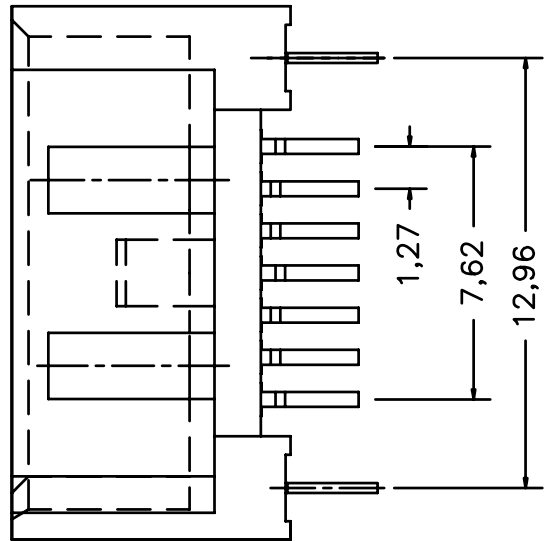
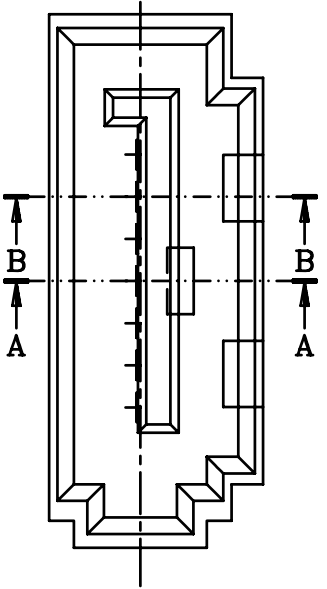
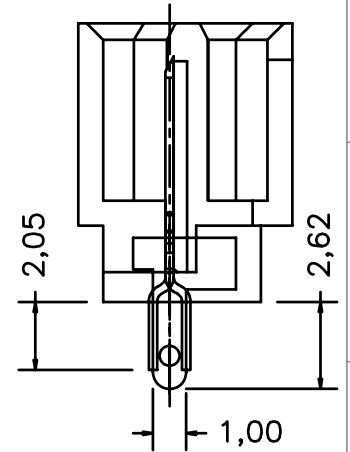


P.C.B HOLE LAYOUT



SECT A-A



SECT B-B

DATE	DR.BY	ECN.NO.	DESCRIPTION	MARK	VER.
3/29'14	ming		NEW DWG		AO

NOTES:

Housing: PBT, UL 94V-0 rated, Color: black
 Contact: C2680.
 Plating: Gold Flash Plating Over Nickel on Contact
 Tin/Lead plating on terminal.
 Harpoon: spcc. Sn palting over.
 Insertion Force: 1kg max.
 Withdrawal Force: 600g min.

Current Rating: 1.5 Ampere per contact;
 Contact Resistance: 30 Milliohms max.
 Insulation Resistance: 1000 megohms min.
 Dielectric Withstanding Voltage: 500 V AC.

Operating Temperature: -55°C to +125°C

-TOLERANCES- UNLESS OTHERWISE SPECIFIED 公差参考表		东莞市龙科电子科技有限公司 DONGGUAN LONGKE ELECTRONICS CO.,LTD :						
X.X	±0.25	X.X°	±3.00°	TITLE: 产品品名: SATA 7P 全包型双孔				
X.XX	±0.20	X.XX°	±1.00°	APPD: 核准:				
X.XXX	±0.10	X.XXX°	±0.500°	PRODUCT NO: 产品料号: 231-F071612A-B01				
		CHECK:dd 校对:		DATE	SCALE	UNIT	TYPE	PAGE
		DRAW: 绘图:		2014.03.29	1:1	mm	CD	1/1