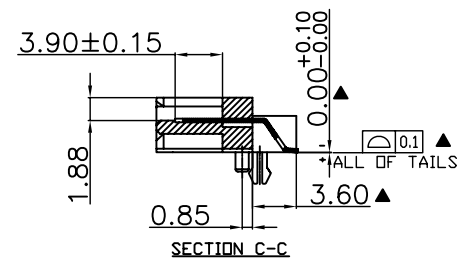
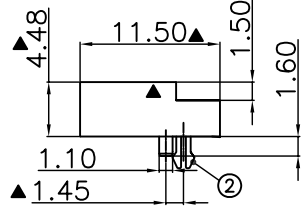
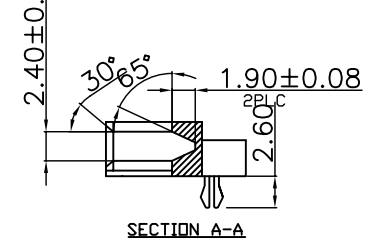
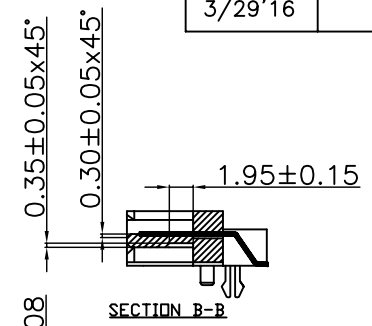
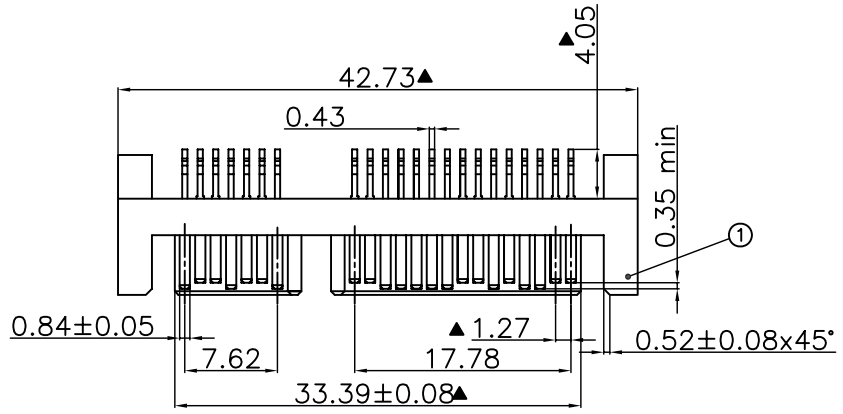
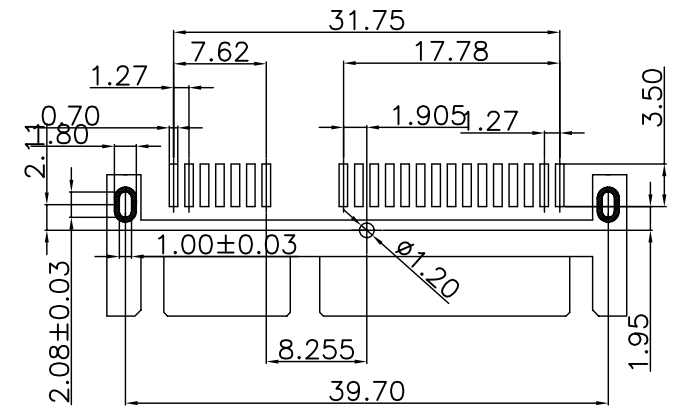
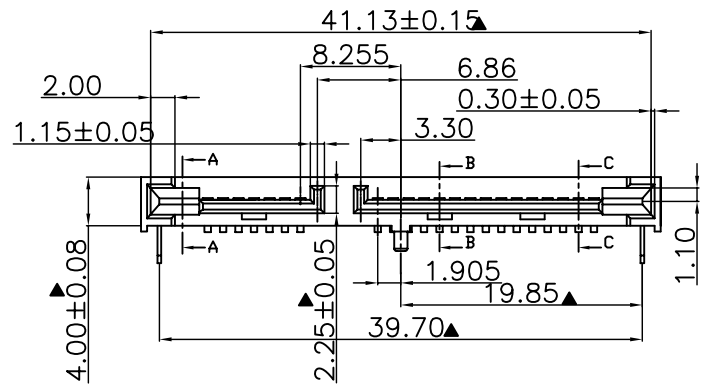




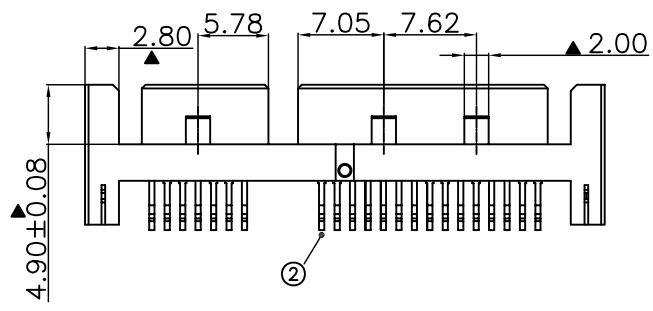
DATE	DR.BY	ECN.NO.	DESCRIPTION	MARK	VER.
3/29'16			NEW DWG		AO



**SPECIFICATION:**  
**1.MATERIAL:**  
 HOUSING:LCP E130I 30% G/F UL 94V-0  
 COLOR:BLACK  
 CONTACT:BRASS C2680R EH,T=0.25mm  
 Peg:BRASS C2680R EH,T=0.30mm  
**2.FINISH:**  
 CONTACT:1u" GOLD/TIN PLATING ON CONTACT AREA  
 100u" MIN. TIN PLATING ON SOLDER TAILS  
 50u" MIN.NICKEL UNDERPLATING OVER ALL  
 Peg:100u" MIN. TIN PLATING ON SOLDER TAILS  
 50u" MIN.NICKEL UNDERPLATING OVER ALL  
**3.ELECTRICAL:**  
 CURRENT RATING: 1.5A PER PIN MIN.  
 CONTACT RESISTANCE: 30m OHM MAX.  
 INSULATION RESISTANCE: 1000M OHM MIN.  
 DIELECTRIC WITHSTANDING VOLTAGE: 500VAC.



**PCB LAYOUT**  
 RECOMMENDED PCB TOLERANCE:±0.05



-TOLERANCES-		东 莞 市 龙 科 电 子 科 技 有 限 公 司		DONGGUAN LONGKE ELECTRONICS CO.,LTD.:	
UNLESS OTHERWISE SPECIFIED		公 差 参 考 表		TITLE: SATA 7+15P 公座	
				产品品名: 两边鱼叉中间柱子定位SMT	
X.X	±0.25	X.X°	±3.00°	APPD:	PRODUCT NO:
				核准:	产品料号: 232-M223612A-B35
X.XX	±0.20	X.XX°	±1.00°	CHECK:dd	DATE
				校对:	SCALE
X.XXX	±0.10	X.XXX°	±0.500°	DRAW:	UNIT
				绘图: 罗求新	TYPE
				2016.03.29	PAGE
				1:1	1/1
				mm	
				CD	