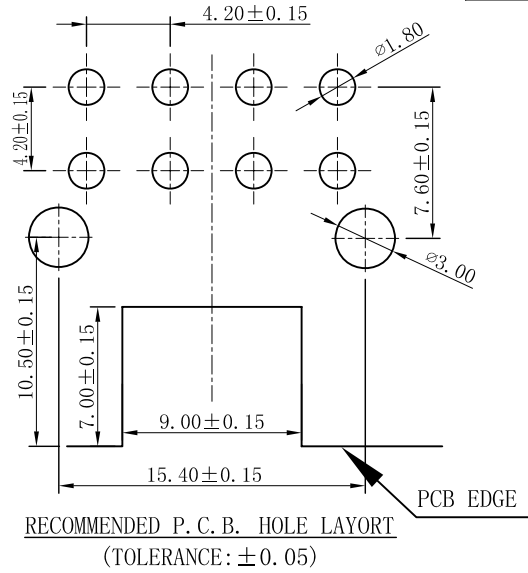
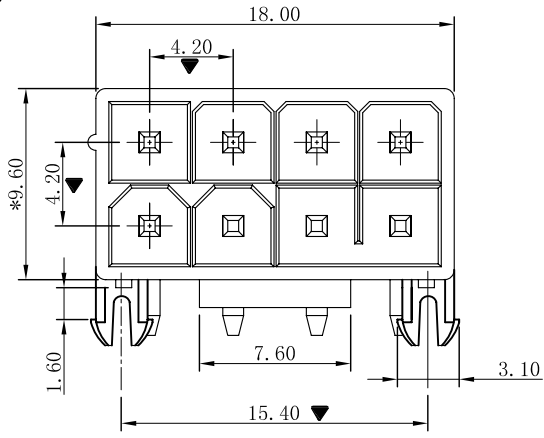
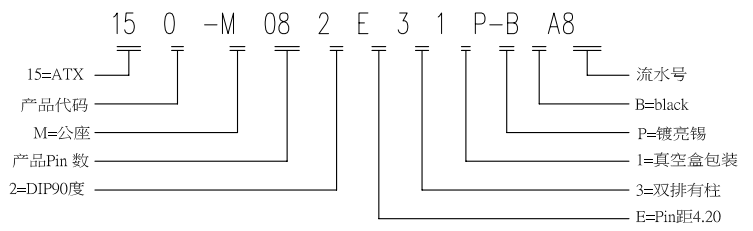
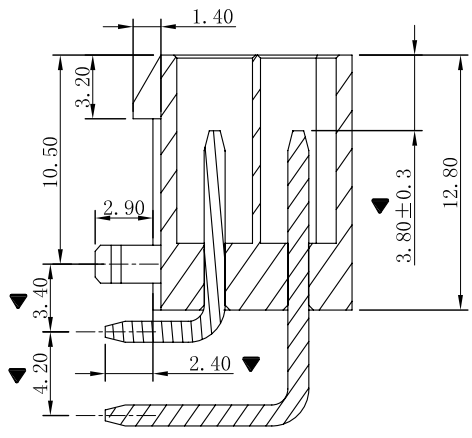
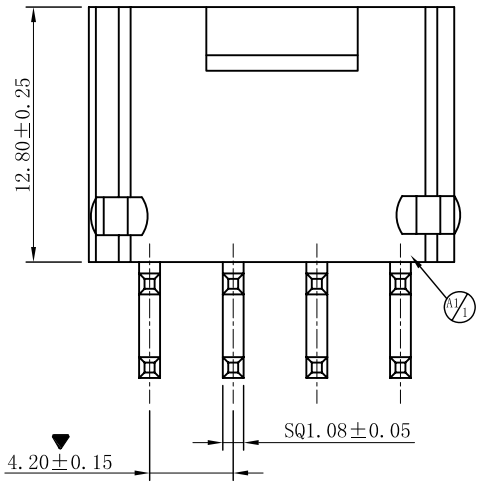


DATE	DR.BY	ECN.NO.	DESCRIPTION	MARK	VER.
12/23'13			NEW DWG		AO



NOTES:
 1.MATERIAL:
 HOUSING:LCP,UL 94V-0,COLOR: BLACK
 CONTACT:BRASS,SQ.1.08mm.
 2.FINISH:
 CONTACT:120u" MIN TIN PLATED OVER,
 30u"MIN. NICKEL UNDER PLATING ALL OVER.
 3.SPECIFICATION:
 CONTACT RESISTANCE:30mΩ MAX.
 INSULATION RESISTANCE:1000MΩ Min
 VOLTAGE RATING:1500VAC.
 CURRENT RATING:8AMPS.
 TEMPERTATURE RANGE:-40°C TO +105°C.
 4.标注“▼”重点管控尺寸。



-TOLERANCES-		东莞市龙科电子科技有限公司	
UNLESS OTHERWISE SPECIFIED		DONGGUAN LONGKE ELECTRONICS CO.,LTD :	
公差参考表		TITLE: 产品品名 : ATX(P=4.2) R/A 2X4P	
X.X ±0.25	X.X° ±3.00°	APPD: 核准:	PRODUCT NO: 产品料号 : 150-M082E31P-BA8
X.XX ±0.20	X.XX° ±1.00°	CHECK:dd 校对:	DATE SCALE UNIT TYPE PAGE
X.XXX ±0.010	X.XXX° ±0.500°	DRAW: 绘图:	2013.12.20 1:1 mm CD 1/1