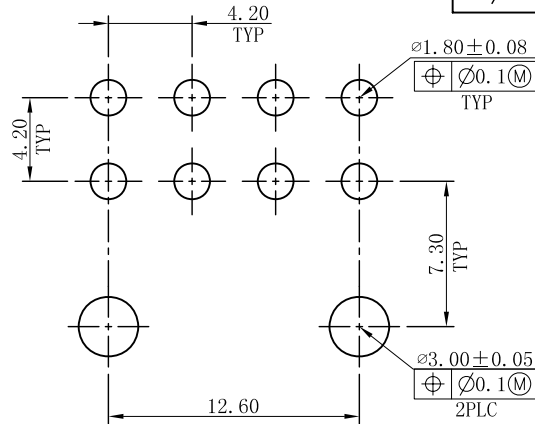
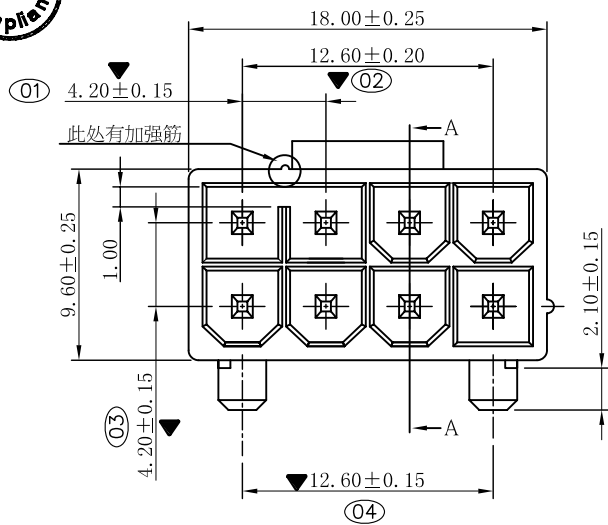


DATE	DR.BY	ECN.NO.	DESCRIPTION	MARK	VER.
11/27'14			NEW DWG		AO



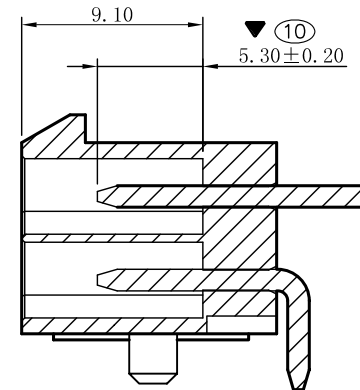
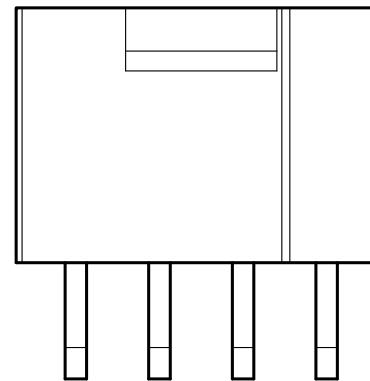
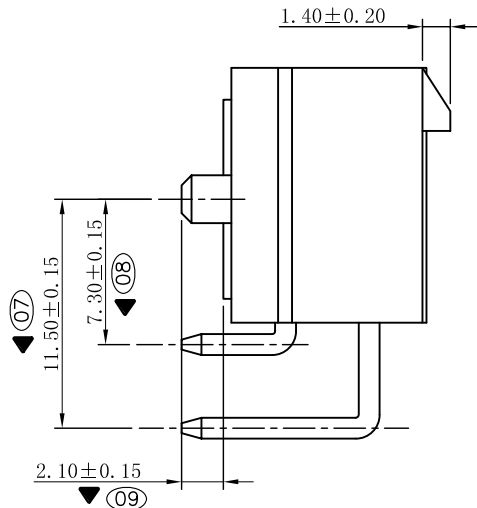
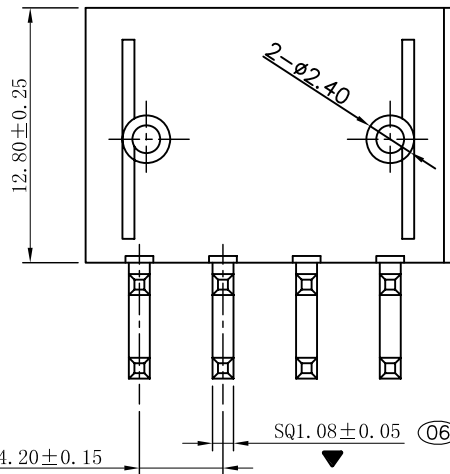
备注：检验尺寸：(01)~(09)



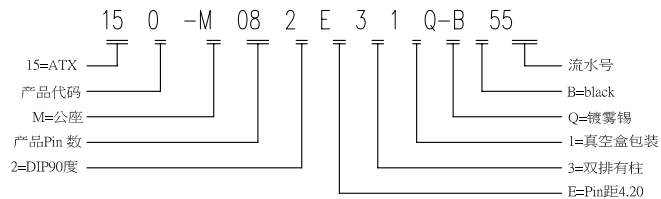
RECOMMENDED P. C. B. HOLE LAYOUT
(TOLERANCE: ±0.05)

NOTES:

- MATERIAL:
HOUSING: LCP, UL 94V-0, COLOR: BLACK
CONTACT: BRASS, SQ.1.08mm.
- FINISH:
CONTACT: 120u" MIN TIN PLATED OVER,
50u" MIN. NICKEL UNDER PLATING ALL OVER.
- SPECIFICATION:
CONTACT RESISTANCE: 20mΩ MAX.
INSULATION RESISTANCE: 1000MΩ.
VOLTAGE RATING: 250VAC.
CURRENT RATING: 9AMPS.
TEMPERATURE RANGE: -55°C TO +105°C.



SECTION A-A



-TOLERANCES-		东莞市龙科电子科技有限公司	
UNLESS OTHERWISE SPECIFIED		DONGGUAN LONGKE ELECTRONICS CO.,LTD :	
公差参考表		TITLE: ATX(P=4.2) R/A 2X4P 无卤 产品品名: 正向有LOGO	
X.X ±0.25	X.X° ±3.00°	APPD: 核准:	PRODUCT NO: 产品料号: 150-M082E31Q-B55
X.XX ±0.20	X.XX° ±1.00°	CHECK:dd 校对:	DATE SCALE UNIT TYPE PAGE
X.XXX ±0.010	X.XXX° ±0.500°	DRAW: 绘图: 罗求新	2018.06.30 1:1 mm CD 1/1