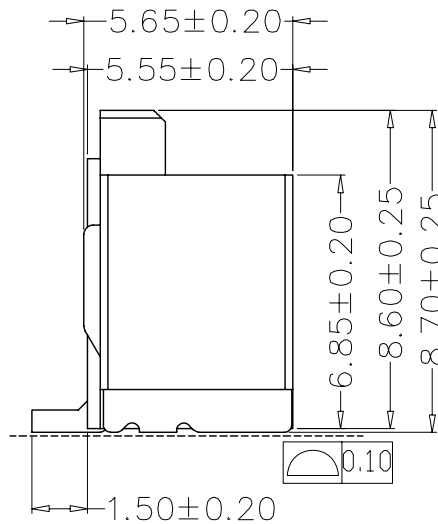
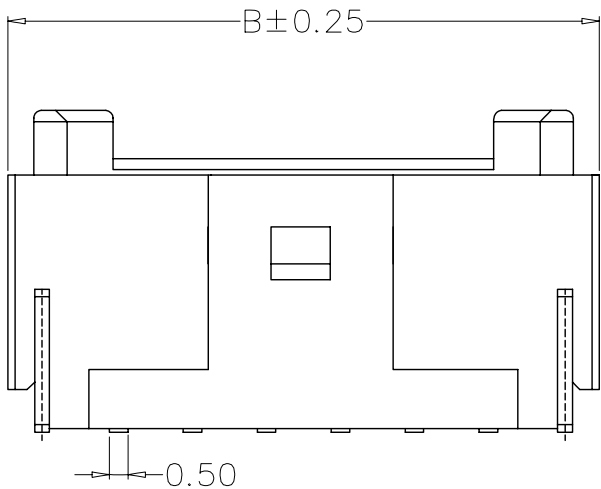
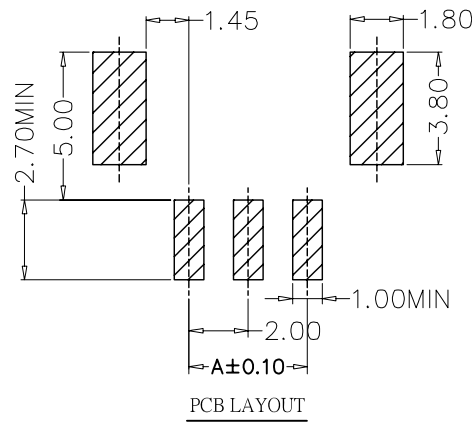
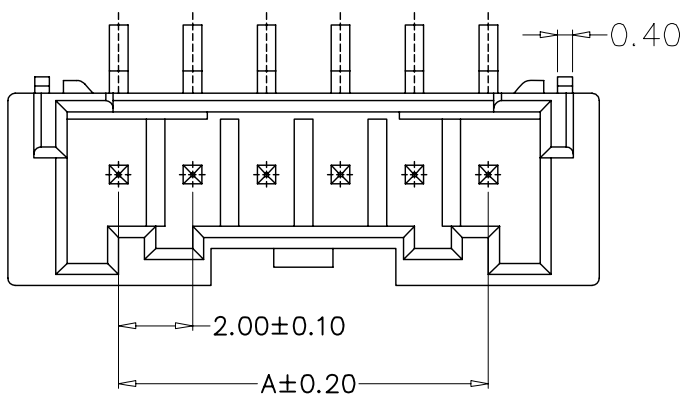


DATE	DR.BY	ECN.NO.	DESCRIPTION	MARK	VER.
3/29'14			NEW DWG		AO



SPECIFICATIONS

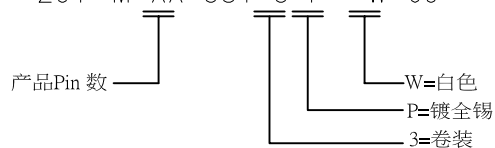
- 1.Current Rating:3A AC,DC
- 2.Voltage Rating:300V AC,DC
- 3.Temperatuer Range:-25°C~+85°C
- 4.Contact Resistance:20mΩ max
- 5.Insulation Resistance:100 MΩ min
- 6.Withstanding Voltang:800V AC/minute
- 7.Material:Wafer Nylou66, UL94V-0  
PIN Brass Tin-plated  
Solder tad Brass Tin-plated



料号	尺寸 (mm)	
	A	B
201-M023813P-W69	2.00	8.00
201-M033813P-W69	4.00	10.00
201-M043813P-W69	6.00	12.00
201-M053813P-W69	8.00	14.00
201-M063813P-W69	10.00	16.00
201-M073813P-W69	12.00	18.00
201-M083813P-W69	14.00	20.00
201-M093813P-W69	16.00	22.00
201-M103813P-W69	18.00	24.00
201-M113813P-W69	20.00	26.00
201-M123813P-W69	22.00	28.00
201-M203813P-W69	38.00	44.00

PART NO.

201-M XX 381 3 P- W 69



-TOLERANCES-  
UNLESS OTHERWISE SPECIFIED  
公差参考表

X.X	±0.25	X.X°	±3.00°
X.XX	±0.20	X.XX°	±1.00°
X.XXX	±0.10	X.XXX°	±0.500°



东莞市龙科电子科技有限公司  
DONGGUAN LONGKE ELECTRONICS CO.,LTD :



TITLE: Wafer 2.00PH 立贴  
产品品名:

PRODUCT NO: SEE NOTE  
产品料号:

APPD: 核准:	CHECK:dd 校对:	DATE	SCALE	UNIT	TYPE	PAGE
范小飞	范小飞	2015.03.25	1:1	mm	CD	1/1