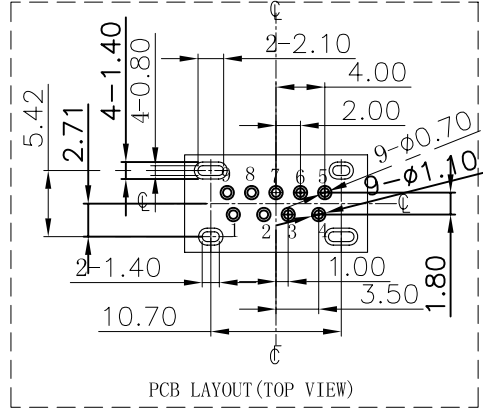
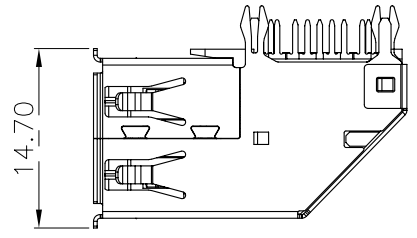
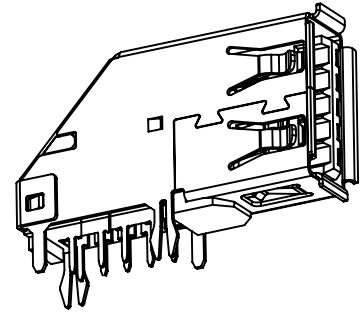
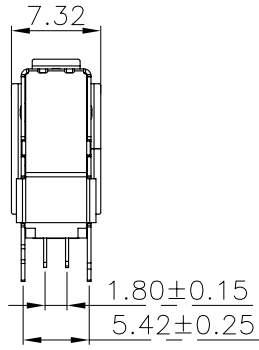
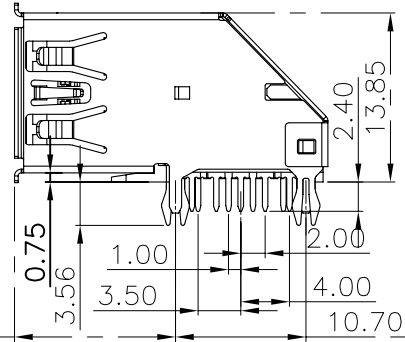
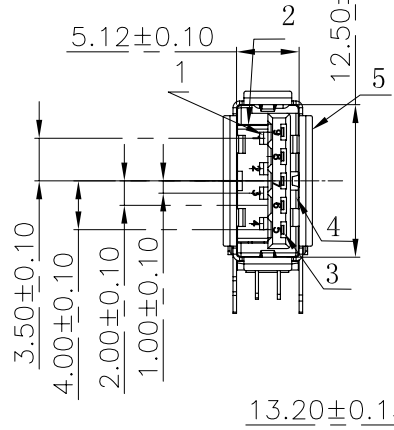
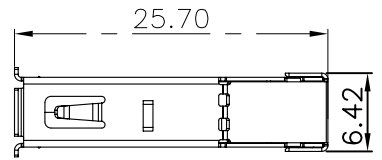




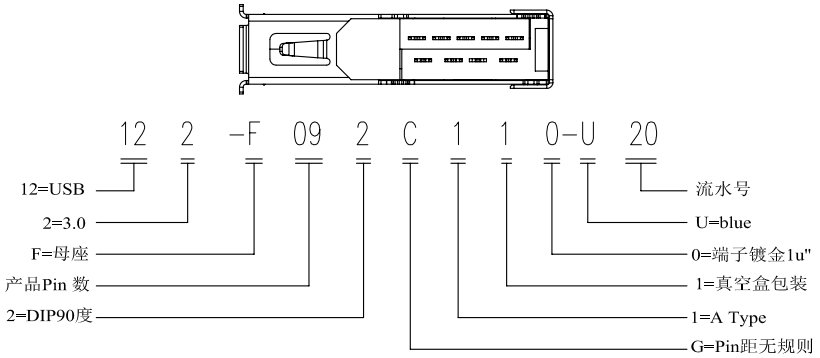
DATE	DR.BY	ECN.NO.	DESCRIPTION	MARK	VER.
12/23'13	VICKY		NEW DWG		AO



**SPECIFICATIONS:**  
 Contact current Rating:  
 1.8 Amperes for pin1&pin4.  
 0.25 Amperes other contacts  
 Dielectric Withstanding Voltage:AC 100V(RMS)  
 Insulation resistance:100Megohms Minimum.  
 Contact Resistance:  
 30mΩ Max for pin1&pin4  
 50mΩMax for other contacts  
**Mechanical Characteristics:**  
 Mating Force:35 Newtoms.Maximum  
 Unmating Force:10 Newtoms.Minimum.  
**MATERIAL:**  
 Housing: LCP+30%GF 94V-0 COLOR:BLUE  
 Contact: C2680R-H/C5191R-H( T=0.25mm)  
 Shell: SUS304-1/2H  
**PLATING:**  
 Contact: Au Plated on contact area  
 Tin Plated on solder area  
 Nickel underplating over all  
 Shell: Nickel Plated  
 operating Temperature:-55'to+85'



Pin Number	Signal Name	Pin Number	Signal Name
1	VBUS	5	SSRX-
2	D-	6	SSRX+
3	D+	7	GND
4	GND	8	SSTX-
Shell	Shield	9	SSTX+



ITEM	PART NAME	Material	Q'TY	REMARK
1	4P Semi-manufactured Goods	Housing LCP	1	Blue UL94V-0
2		Contact C5191R-H	4	T=0.25 Plating Gild/Tin
3	5P Semi-manufactured Goods	Housing LCP	1	Blue UL94V-0
4		Contact C2680R-H	5	T=0.25 Plating Gild/Tin
5	Shell	SUS304-1/2H	1	T=0.3

-TOLERANCES-  
UNLESS OTHERWISE SPECIFIED  
公差参考表

X.X ±0.25	X.X° ±3.00°		<b>东 莞 市 龙 科 电 子 科 技 有 限 公 司</b> DONGGUAN LONGKE ELECTRONICS CO.,LTD.:				
X.XX ±0.20	X.XX° ±1.00°		TITLE: USB 3.0 AF 侧插90度 APPD: 核准: CHECK: dd 校对: DRAW: 绘图:				
X.XXX ±0.010	X.XXX° ±0.500°		PRODUCT NO: 122-F092C110-U20 DATE: 2013.12.20 SCALE: 1:1 UNIT: mm TYPE: CD PAGE: 1/1				