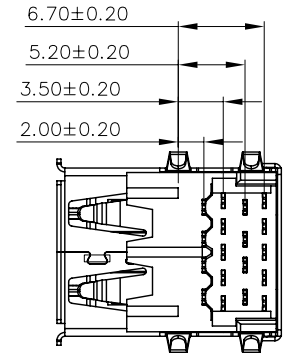
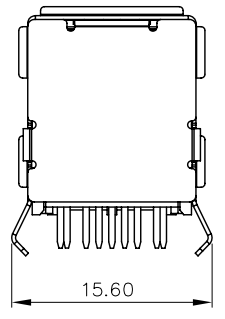
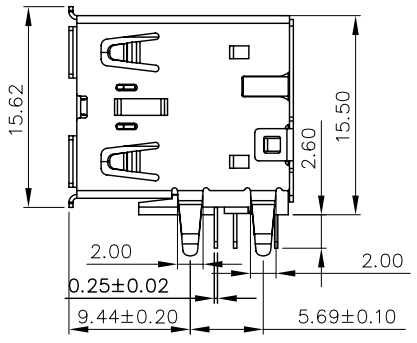
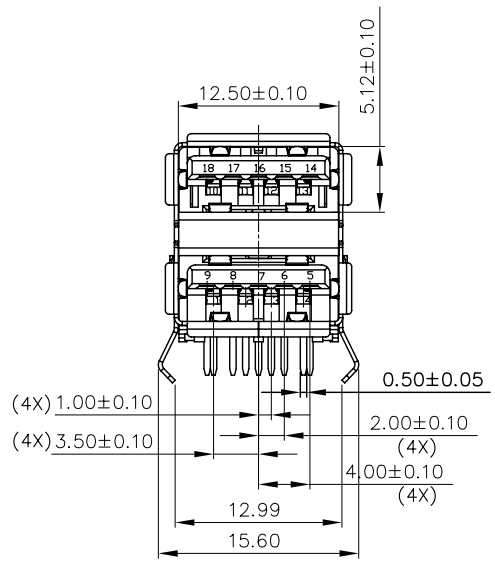
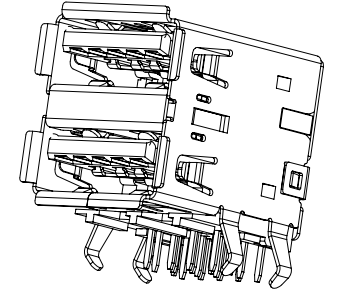
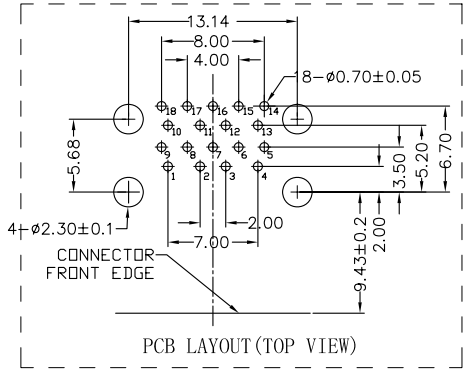
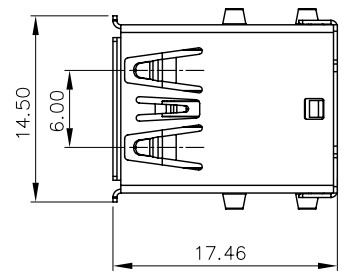




DATE	DR.BY	ECN.NO.	DESCRIPTION	MARK	VER.
3/29'14	ming		NEW DWG		AO



**SPECIFICATIONS:**

Contact current Rating:  
 1.8 Amperes for pin1&pin4.  
 0.25 Amperes other contacts  
 Dielectric Withstanding Voltage: AC 100V(RMS)  
 Insulation resistance:100Megohms Minimum.  
 Contact Resistance:  
 30mΩ Max for pin1&pin4  
 50mΩMax for other contacts  
 Mechanical Characteristics:  
 Mating Force: 35 Newtons.Maximum  
 Unmating Force: 10 Newtons.Mlimum.  
**MATERIAL:** 8N Min After Durability  
 Housing: PBT+30%GF 94V-0 COLOR:BLUE  
 Contact: copper alloy( T=0.25mm)  
 Shell: Brass  
**PLATING:**  
 Contact: Au Plated on contact area  
 Tin Plated on solder area  
 Nickel underplating over all  
 Shell: Nickel Plated  
 operating Temperature: -55°C+85°C

-TOLERANCES- UNLESS OTHERWISE SPECIFIED 公差参考表		<b>东莞市龙科电子科技有限公司</b> DONGGUAN LONGKE ELECTRONICS CO.,LTD :	
			TITLE: 产品品名 : USB 3.0 AF 双层90° DIP
X.X ±0.25	X.X° ±3.00°	APPD: 核准: MICK,CHEN	PRODUCT NO: 产品料号: 122-F182G31H-U44
X.XX ±0.20	X.XX° ±1.00°	CHECK:dd 校对: KING	DATE SCALE UNIT TYPE PAGE
X.XXX ±0.10	X.XXX° ±0.500°	DRAW: 绘图: KING	2014.03.29 1:1 mm CD 1/1