

DATE	DR.BY	ECN.NO.	DESCRIPTION	MARK	VER.
3/29'16			NEW DWG		AO



NOTE:

1.MATERIAL:

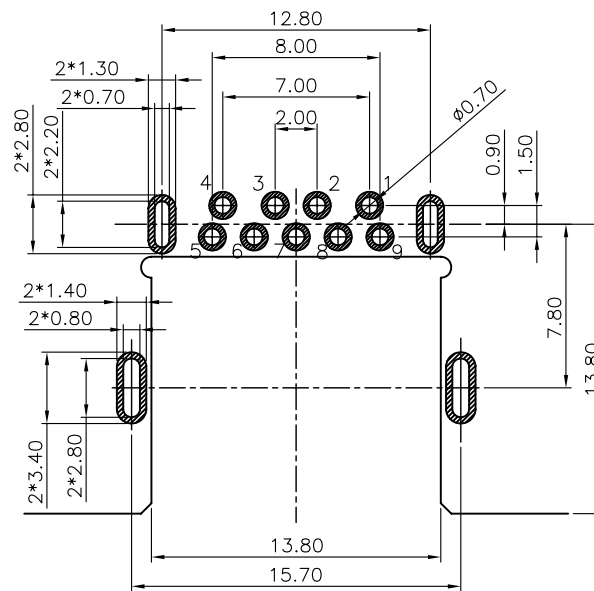
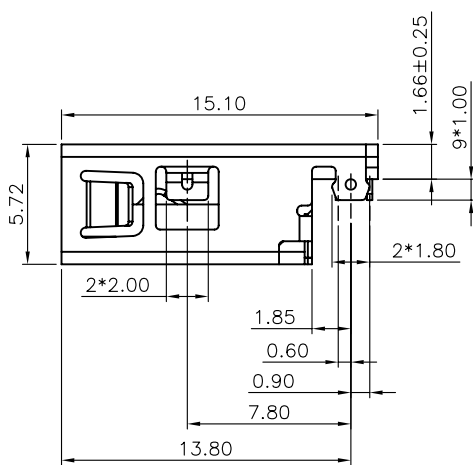
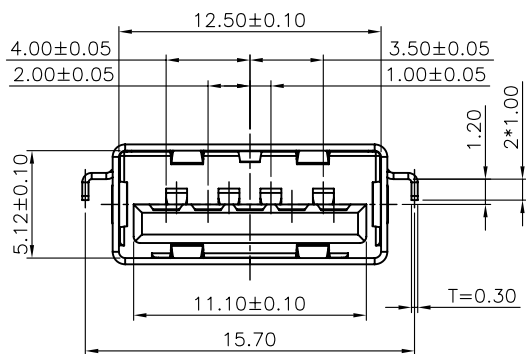
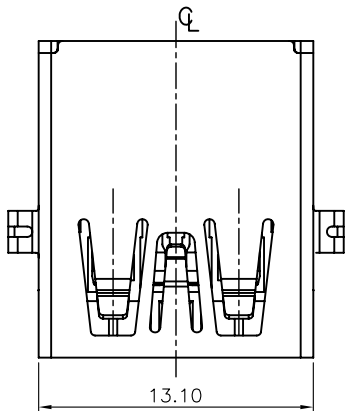
- 1.1 INSULATOR:LCP UL 94 V-0;BLACK
- 1.2 CONTACT:C5191(T=0.20mm)
- 1.3 SHELL:SUS201(T=0.30mm)

2.ELECTRICAL CHARACTERISTICS;

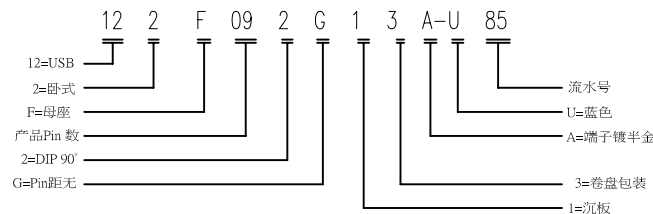
- 2.1 Current Rating:1.8AMP at 250V AC  
Voltage Rating:30V
- 2.2 Insulation Resistance:100MΩ Min
- 2.3 Contact Resistance:30mΩ Max
- 2.4 Dielectric Withstanding Voltage:100V AC
- 2.5 OPERATING TEMPEROTURE:-40°C ~ 85°C

3. MECHANICAL CHARACTERISTICS:

- 3.1 MATING FORCE:35 N Max
- 3.2 UNMATED FORCE:10 N Min INITIAL; 8 N Min AFTER TEST
- 3.3 DURABILITY:5,000 CYCLES



TOLERANCE: ±0.05, THICKNESS: 1.2mm  
RECOMMENDED PCB LAYOUT  
(TOP VIEW)



Pin #	SIGNAL NAME	DESCRIPTION	MATING SEQUENCE
1	VBUS	POWER	SECOND
2	D-	USB 2.0 DIFFERENTIAL PAIR	THIRD
3	D+		
4	GND	GROUND FOR POWER RETURN	SECOND
5	StdA_SSRX-	SUPERSPEED RECEIVER DIFFERENTIAL PAIR	LAST
6	StdA_SSRX+		
7	GND_DRAIN	GROUND FOR SIGNAL RETURN	
8	StdA_SSTX-	SUPERSPEED TRANSMITTER DIFFERENTIAL PAIR	
9	StdA_SSTX+		
Shell	Shield	CONNECTOR METAL SHELL	FRIST

ITEM	DESCRIPTION	QTY	MATERIAL	REMARK
03	CONTACT	9	C5191	T=0.20mm
02	SHELL	1	SUS201	T=0.30mm
01	HOUSING	1	LCP	UL94V-0; COLOR:BLACK

-TOLERANCES- UNLESS OTHERWISE SPECIFIED 公差参考表		<b>东莞市龙科电子科技有限公司</b> DONGGUAN LONGKE ELECTRONICS CO.,LTD.		
X.X ±0.25    X.X° ±3.00° X.XX ±0.20    X.XX° ±1.00° X.XXX ±0.10    X.XXX° ±0.500°		TITLE: USB 3.0 AF沉板式 产品品名:		
APPD: 核准: CHECK:dd 校对: DRAW: 罗求新 绘图:		PRODUCT NO: 122-F092G13A-U85 产品料号:		
DATE	SCALE	UNIT	TYPE	PAGE
2016.03.29	1:1	mm	CD	1/1