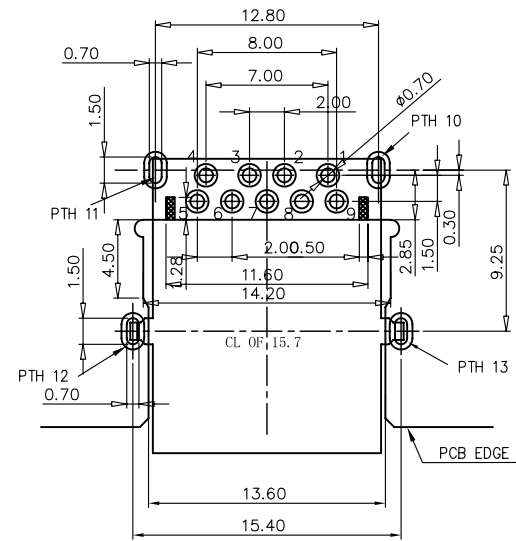
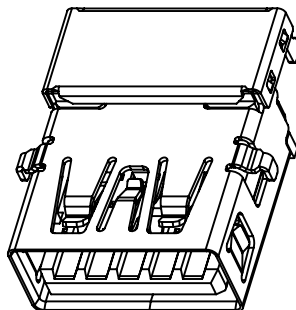
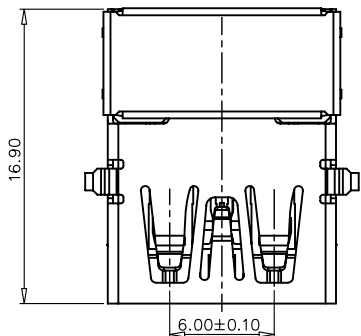
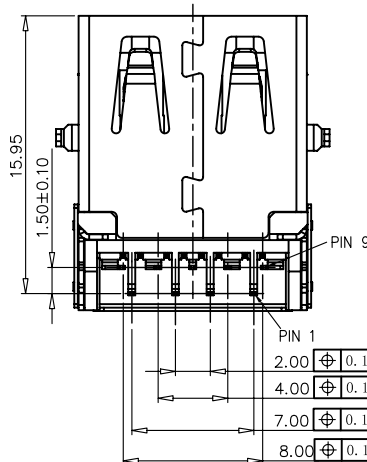
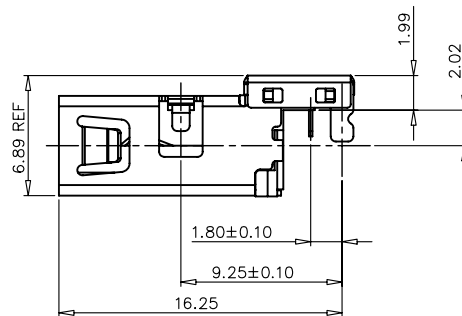
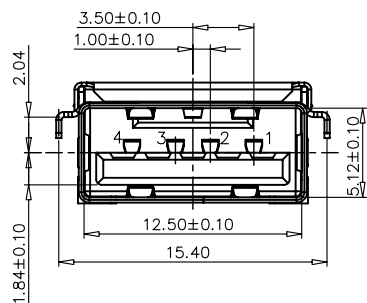


DATE	DR.BY	ECN.NO.	DESCRIPTION	MARK	VER.
3/29'16			NEW DWG		AO

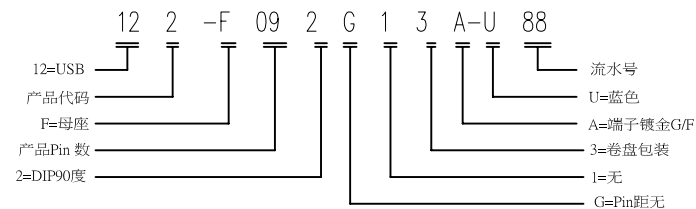


TOLERANCE: ±0.05, THICKNESS: 1.2mm
RECOMMENDED PCB LAYOUT

(TOP VIEW)
KEEP OUT AREA



- NOTE:
- MATERIAL:
 - INSULATOR: HIGH TEMPERATURE PLASTIC UL 94 V-0; BLUE
 - CONTACT: COPPER ALLOY (T=0.20mm)
 - SHELL: SUS201 (T=0.30mm)
 - ELECTRICAL CHARACTERISTICS:
 - CONTACT RESISTANCE: 30mΩ Max
 - CONTACT CURRENT RATING: 1.5A
 - DIELECTRIC WITHSTANDING VOLTAGE: 500 V R.M.S.
 - INSULATION RESISTANCE 100 MEGOHMS Min
 - OPERATING TEMPERATURE: -40°C ~ 85°C
 - MECHANICAL CHARACTERISTICS:
 - MATING FORCE: 35 N Max
 - UNMATED FORCE: 10 N Min INITIAL; 8 N Min AFTER TEST
 - DURABILITY: 5,000 CYCLES
 - PLATING:
 - TERMINAL CONTACT: (SEE TAB) GOLD PLATING ALL OVER 50u" MIN NICKEL AND 80u" MIN Matte Tin ALL OVER 50u" MIN NICKEL IN SOLDER AREA
 - SHELL: 50u" MIN. NICKEL ALL OVER



-TOLERANCES-		DONGGUAN LONGKE ELECTRONICS CO.,LTD :	
UNLESS OTHERWISE SPECIFIED		TITLE: USB 3.0 AF 沉板 析下高度2.0	
公差参考表		PRODUCT NO: 122-F092G13A-U88	
X.X ±0.30	X.X° ±3.00°	DATE	SCALE
X.XX ±0.15	X.XX° ±1.00°	UNIT	TYPE
X.XXX ±0.05	X.XXX° ±0.500°	mm	CD
DRAW: 罗求新		2016.03.29	1:1
APPD: 核准:		1	1/1
CHECK: dd 校对:		2	
DRAW: 罗求新		3	
DATE		4	
SCALE		5	
UNIT		6	
TYPE		7	
PAGE		8	