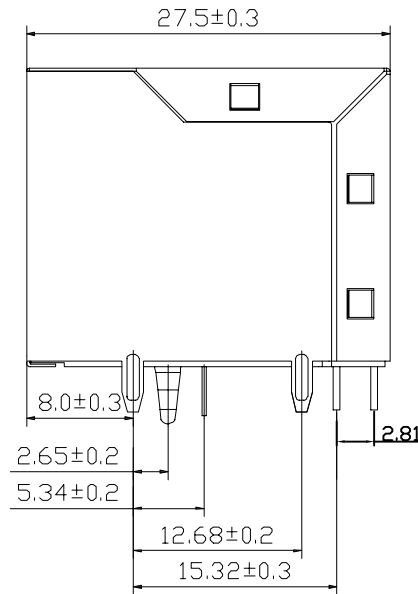
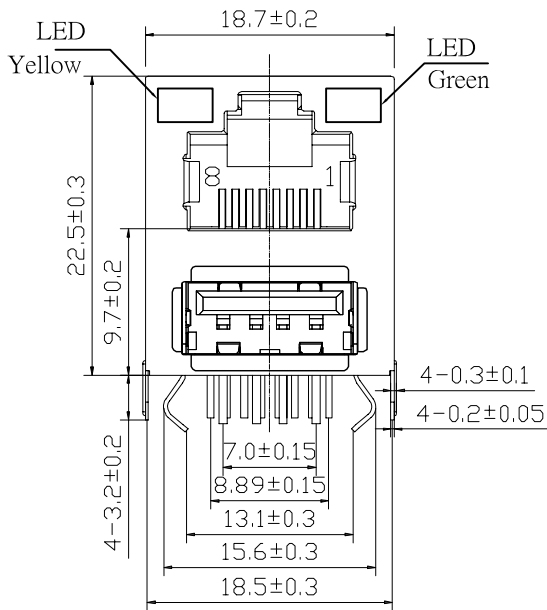
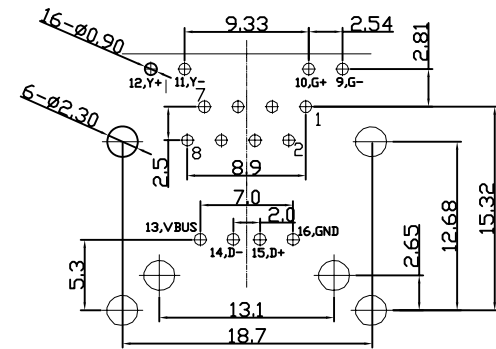
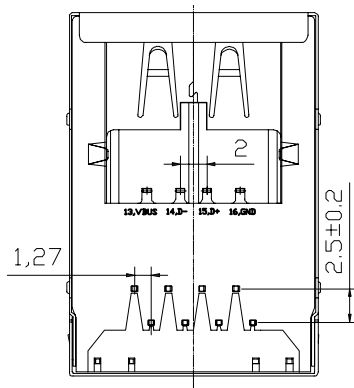


DATE	DR.BY	ECN.NO.	DESCRIPTION	MARK	VER.
3/29'16			NEW DWG		AO



- 1.RJ ELECTRICAL CHARACTERISTICS  
 1-1:VOLTAGE:125V AC RMS  
 1-2:CURRENT RATING:1.5A  
 1-3:CONTACT RESISTANCE:40mΩ MAX.  
 1-4:INSULATION RESISTANCE:500MΩ MIN.  
 1-5:DIELECTRIC WITHSTANG VOLTAGE :1000V AC  
 1-6:OPERATURE TEMPERATURE:-40°C~80°C
- 2.USB ELECTRICAL CHARACTERISTICS  
 2-1:VOLTAGE:30V AC RMS  
 2-2:CURRENT RATING:1.5A  
 2-3:CONTACT RESISTANCE:30mΩMAX.  
 2-4:DIELECTRIC WITHSTANG VOLTAGE:500V AC  
 2-5:INSULATION RESISTANCE:1000MΩMIN.  
 2-6:OPERATURE TEMPERATURE:-55°C~85°C



Recommend PCB Layout  
 (Jack Top View)  
 Tolerance: ±0.05mm  
 Recommend PCB Thickness: 1.6mm

d	USB	1	HOUSING: PBT UL94V-0 White, SHELL:STEEL, TERMINAL:BRASS G/F		
c	SHELL	1	BRASS	Ni PALTING	
b	TERMINAL	8	PHOSPHOR BRONZE	Au PALTING	
a	HOUSING	1	PA66 UL94V-0	BLACK	
NO.	PART NAME	Q'TY	MATERIAL	PLATING & COLOR	Remnrk

-TOLERANCES- UNLESS OTHERWISE SPECIFIED 公差参考表				东莞市龙科电子科技有限公司 DONGGUAN LONGKE ELECTRONICS CO.,LTD :								
X.X	±0.25	X.X°	±3.00°	APPD: 核准:		TITLE: 产品品名: RJ45 加USB 2.0 有灯无弹						
X.XX	±0.20	X.XX°	±1.00°	CHECK:dd 校对:		PRODUCT NO: 产品料号: 244-F142G310-B28		DATE	SCALE	UNIT	TYPE	PAGE
X.XXX	±0.10	X.XXX°	±0.500°	DRAW: 绘图: 罗求新		2016.03.29	1:1	mm	CD	1/1		