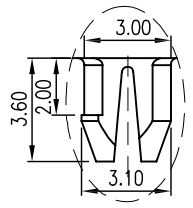
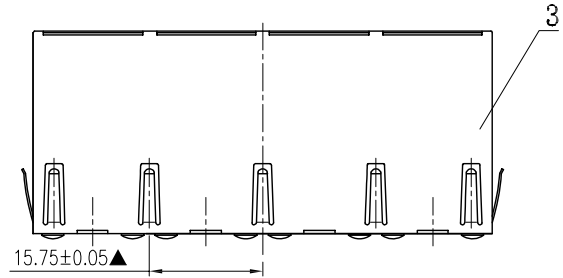
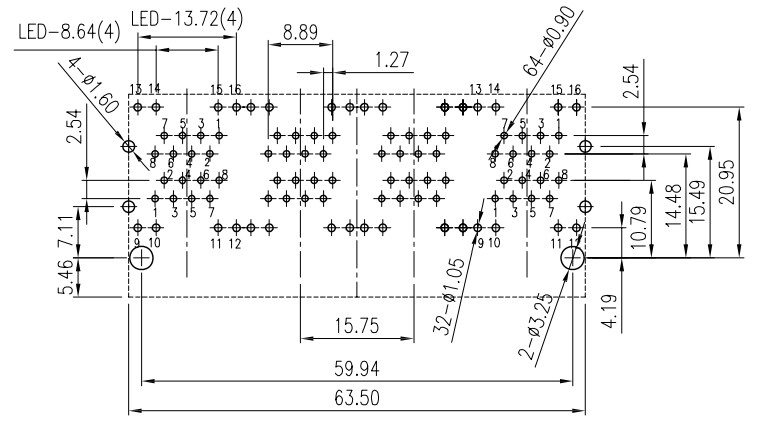


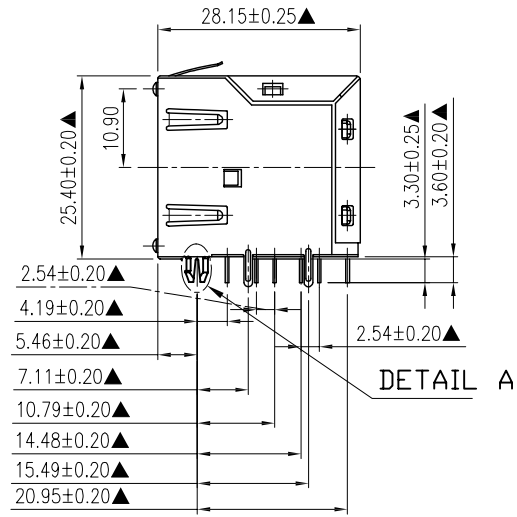
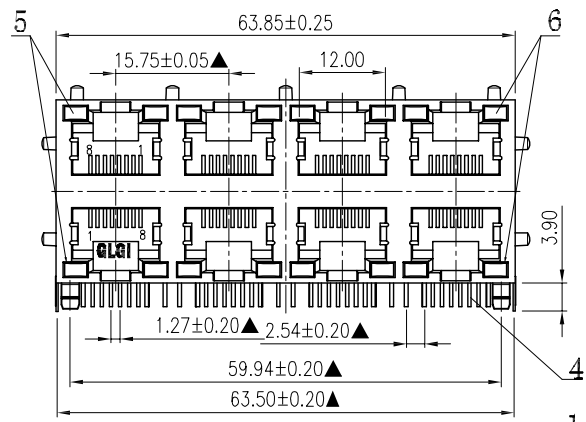
DATE	DR.BY	ECN.NO.	DESCRIPTION	MARK	VER.
3/29'16			NEW DWG		AO



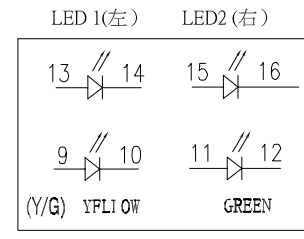
DETAIL: A
SCALE 4:1



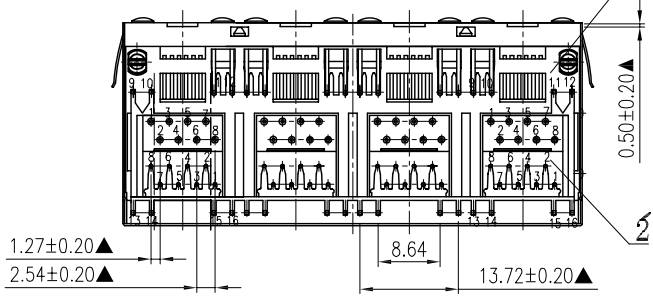
RFCOMMENDED P.C.B LAYOUT TOP VIEW
COMPONENT SIDE TOLERANCE±0.05



DETAIL A



LED PIN DEFINE



- MATERIALS:
- 1.HOUSING:GLASS FILLED NYLON46 BLACK UL94V-0
 - 2.INSERT:GLASS FILLED PBT UL94V-0
 - 3.SHIELDING:COPPER ALLOY WITH NICKEL PLATED.
 - 4.CONTAT: 0.46mm DIA PHOSPHOR BRONZE GOLD PLATING OVER NICKEL.

-TOLERANCES- UNLESS OTHERWISE SPECIFIED 公差参考表		东莞市龙科电子科技有限公司 DONGGUAN LONGKE ELECTRONICS CO.,LTD.	
X.X ±0.25	X.X° ±3.00°	APPD: 核准:	TITLE: 产品品名: RJ45 2*4 双层带弹片带灯 PRODUCT NO: 产品料号: 244-F962G410-B38
X.XX ±0.20	X.XX° ±1.00°	CHECK:dd 校对:	DATE SCALE UNIT TYPE PAGE
X.XXX ±0.10	X.XXX° ±0.500°	DRAW: 绘图: 罗求新	2016.03.29 1:1 mm CD 1/2