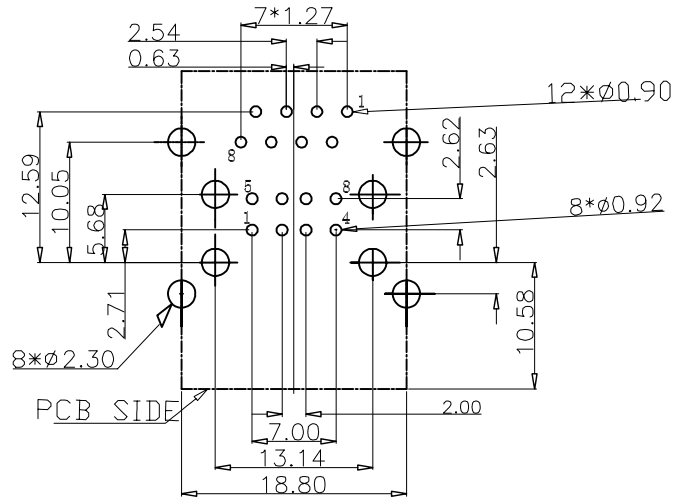
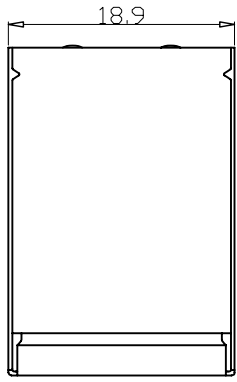
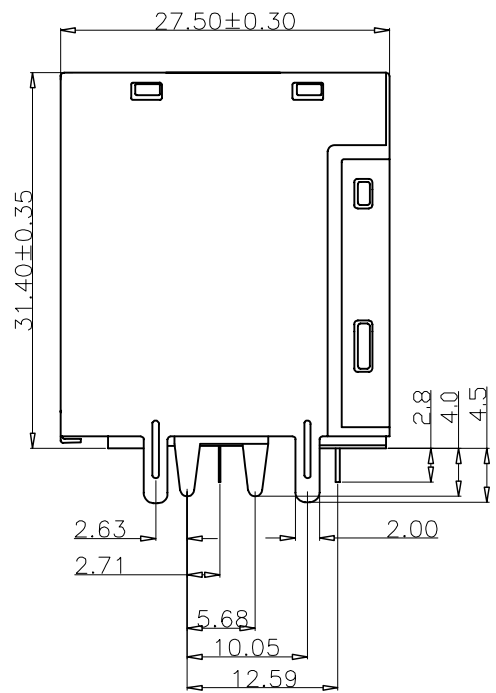
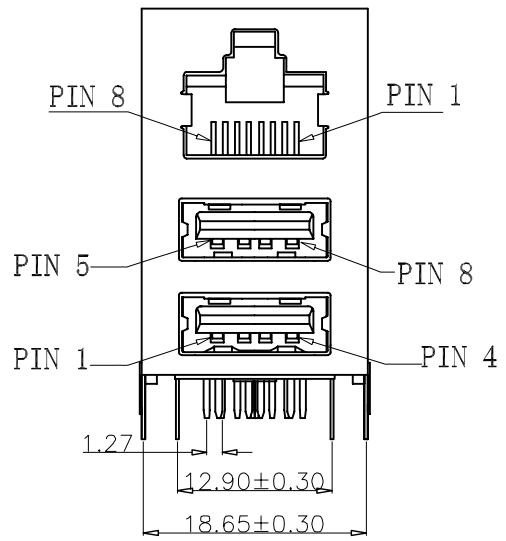


DATE	DR.BY	ECN.NO.	DESCRIPTION	MARK	VER.
3/29'16			NEW DWG		AO



RECOMMEND PCB LAYOUT  
TOLERANCE±0.05mm

MATERIALS:  
 INSULATOR: PBT+30%GF (UL94V-0 COLOR:BLACK)  
 CONTACT: PHOSPHOR BRONZE T=0.30±0.01mm  
 USB SHELL: SPCC T=0.30±0.01mm  
 USB CONTACT: BRASS T=0.30±0.01mm  
 FRONT SHELL: SPCC T=0.25±0.01mm  
 BACK SHELL: SPCC T=0.25±0.01mm  
 FINISH:  
 CONTACT PLATED: GOLD FLASH  
 SHELL: NICKEL PLATED  
 ELECTRICAL CHARACTERISTICS:  
 CONTACT CURRENT RATING: 1A  
 DIELECTRIC WITHSTANDING VOLTAGE: AC 500V/60sec. r. m. s  
 INSULATOR RESISTANCE: 1000 MΩ MIN AT 500VDC



-TOLERANCES- UNLESS OTHERWISE SPECIFIED 公差参考表		东莞市龙科电子科技有限公司 DONGGUAN LONGKE ELECTRONICS CO.,LTD.	
		TITLE: 产品品名: RJ45+双层USB 无弹片无灯直角	PRODUCT NO: 产品料号: 244-F162G31A-B47
X.X ±0.30	X.X° ±3.00°	APPD: 核准:	DATE SCALE UNIT TYPE PAGE
X.XX ±0.15	X.XX° ±1.00°	CHECK:dd 校对:	2016.03.29 1:1 mm CD 1/1
X.XXX ±0.05	X.XXX° ±0.500°	DRAW: 绘图: 罗求新	