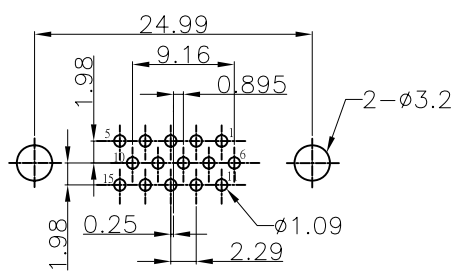
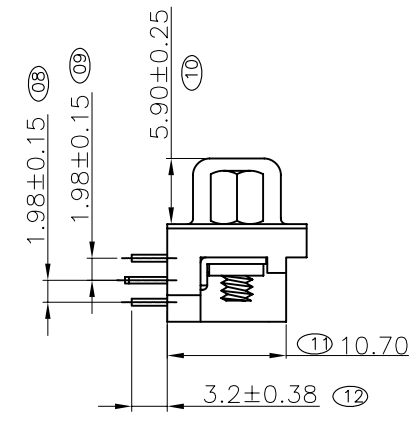
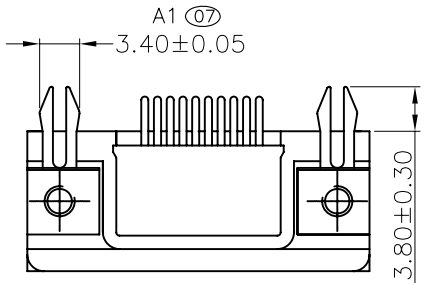
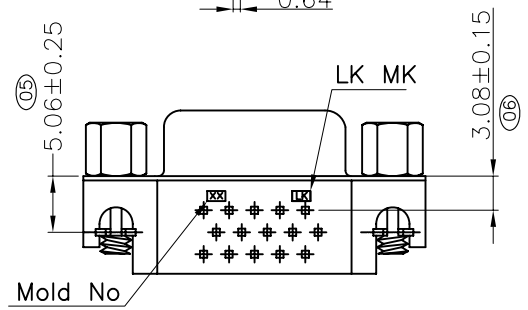
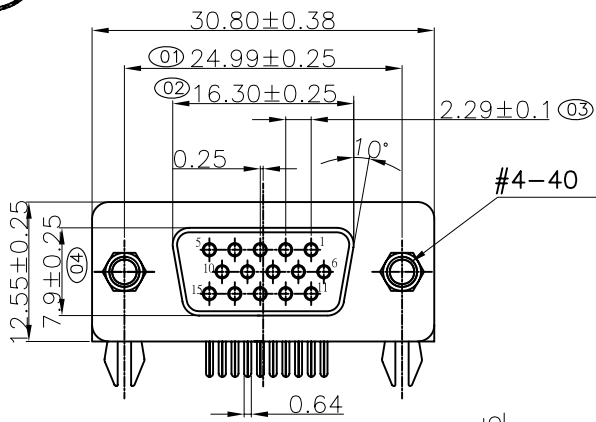




备注: 检验尺寸: ①~⑫

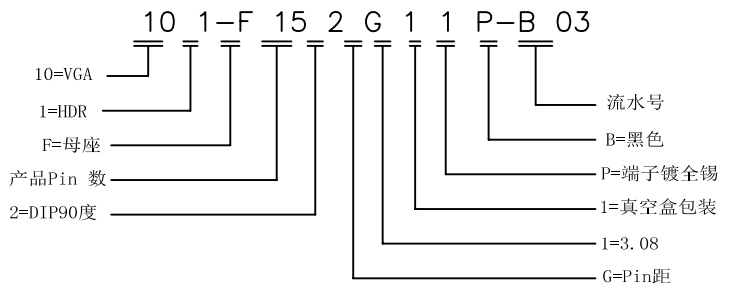
DATE	DR.BY	ECN.NO.	DESCRIPTION	MARK	VER.
12/23'13	yang		NEW DWG		A0
			客护人反应下板困难, 变更鱼叉宽度		A1



P.C.B. PLYOUT
GENERAL TOLERANCE: ±0.05

MATERIAL:
 INSULATOR: PBT+30%G.F (UL94V-0 ;BLUE/BLACK).
 CONTACT: BRASS.
 BOARD LOCK: STEEL.100u" MIN. TIN PLATED ALL OVER.
 CONTACT PLATED: GLOD FLASH OR TIN ON CONTACT AREA
 100u" MIN. TIN PLATED ON SOLDER TAILS.
 50u" MIN. Ni UNDERPLATED ALL OVER.
 SHELL: SPCC.50u" MIN. Ni PLATED ALL OVER.
 SCREW: 12L14.50u" MIN. Ni PLATED ALL OVER.
 RIVET: ZINC ALLOY.50u" MIN. Ni PLATED ALL OVER

SPECIFICATION:
 CURRENT RATING: 3 AMPS
 INSULATION RESISTANCE: 1000MΩ MIN. AT 500VDC
 DIELECTRIC STRENGTH: 500V FOR ONE MINUTE
 CONTACT RESISTANCE: 30mΩ MAX.
 OPERATION TEMPERATURE: -55°C~+105°C.



-TOLERANCES- UNLESS OTHERWISE SPECIFIED 公差参考表		东莞市龙科电子科技有限公司 DONGGUAN LONGKE ELECTRONICS CO., LTD :							
				TITLE: VGA 15F 3.08 DIP 90° 产品品名: 黑胶不带螺丝					
X.X	±0.25	X.X°	±3.00	APPD: 核准: 刘威	PRODUCT NO: 产品料号: 101-F152G11P-B03				
X.XX	±0.20	X.XX°	±1.00	CHECK: dd 校对: 范小飞	DATE	SCALE	UNIT	TYPE	PAGE
X.XXX	±0.01	X.XXX°	±0.50	DRAW: 绘图: 何俊勇	2016.08.16	1:1	mm	CD	1/1