



DATE	DR.BY	ECN.NO.	DESCRIPTION	MARK	VER.
12/23'13	yang		NEW DWG		AO

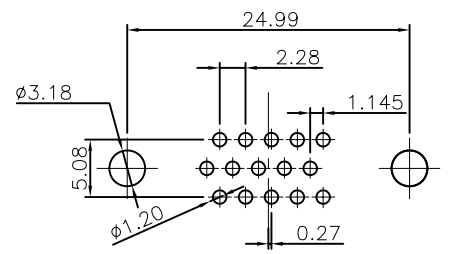
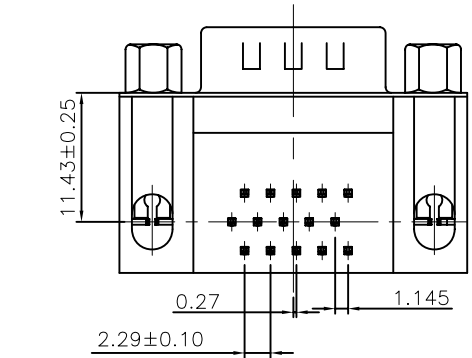
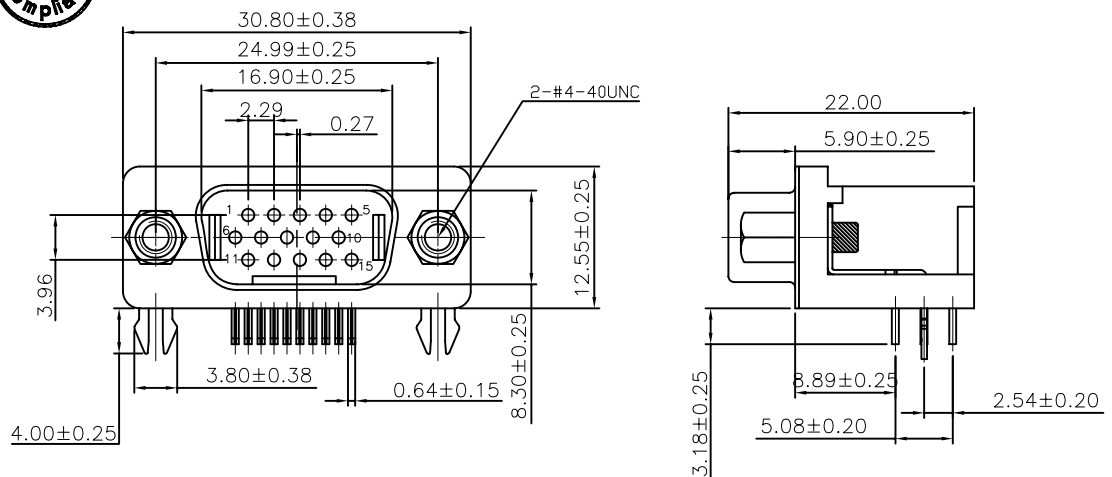
NOTES :

- MATERIAL :
 - HOUSING/COVER: PBT+25%G. F. UL 94 V-0, COLOR: BLACK OR BLUE.
 - CONTACTS : BRASS C2680-EH T=0.2mm
 - SHELL: SPCC.
 - BOARDLOCK : STELL.
 - SCREW: STEEL.
 - RIVET: BRASS, C2680-H
- FINISH:
 - CONTACT: GOLD FLASH(1u") PLATED OVERALL.
 - BOARDLOCK: 50u" MIN. NICKEL UNDERPLATING OVERALL, 100u" MIN. TIN PLATING,

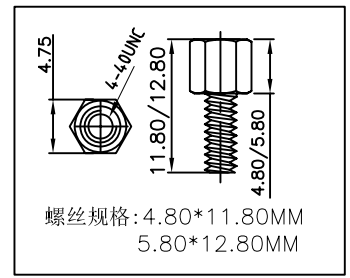
TORSIONAL FORCE:
 RIVET LOCK: 3.5Kg.
 STRAIGHT LOCK: 3.2Kg.

ANTI TORSION:
 RIVET LOCK: 1.2Kg.
 STRAIGHT LOCK: 1.0Kg.

105-M152G41 X-X XX - X



RECOMMENDED PCB LAYOUT
(PRINTED SIDE, TOLERANCE ±0.05)



螺丝规格: 4.80*11.80MM
5.80*12.80MM

A=端子镀半金锡
P=端子镀全锡

螺丝规格
0=无螺丝
5=锁4.8螺丝 6=锁5.8螺丝
7=附4.8螺丝 8=附5.8螺丝
01=直锁
02=铆合
U=蓝色; B=黑色

铆合锁螺丝	铆合附螺丝	铆合无螺丝	直锁

-TOLERANCES- UNLESS OTHERWISE SPECIFIED 公差参考表		东莞市龙科电子科技有限公司 DONGGUAN LONGKE ELECTRONICS CO., LTD :	
X.X	±0.25	X.X°	±3.00
X.XX	±0.20	X.XX°	±1.00
X.XXX	±0.01	X.XXX°	±0.50
APPD: 核准:		TITLE: 产品品名: VGA 8.89 15/M DIP90度	
CHECK: dd 校对:		PRODUCT NO: 产品料号: SEE NOTE	
DRAW: 绘图:		DATE	SCALE
		UNIT	TYPE
		mm	CD
		2013.12.20	1:1
			1/1