



DATE	DR.BY	ECN.NO.	DESCRIPTION	MARK	VER.
12/23'13	VICKY		NEW DWG		AO

SPECIFICATIONS

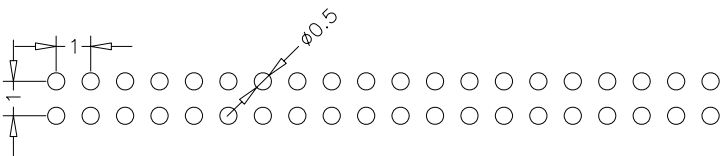
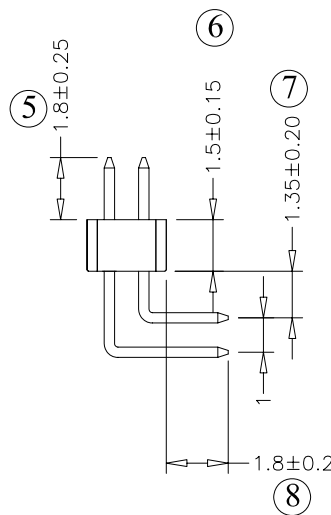
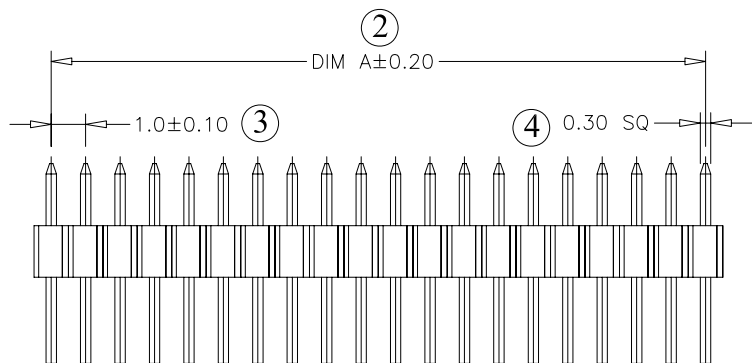
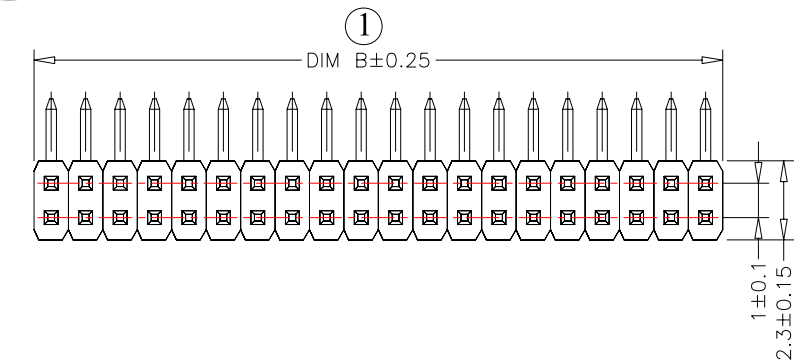
Contact Material: Brass
Contact plating: Gold Flish Over 50u”Ni
Insulator Material: Black Polyester(UL94V-0)
Standard:PA6T

Current Rating: 1 AMP
Withstanding Voltage: 500V AC/minute
Contact Resistance: 20mΩ Max
Insulation Resistance: 1000MΩ Min
Operation Temperature: -40°Cto+105°C

PART NO.
 131-M XX 24310-B01

产品Pin数

PIN NO.	DIM A	DIM B	PIN NO.	DIM A	DIM B
2*2 PIN	1	2	2*12 PIN	11	12
2*3 PIN	2	3	2*13 PIN	12	13
2*4 PIN	3	4	2*14 PIN	13	14
2*5 PIN	4	5	2*15 PIN	14	15
2*6 PIN	5	6	2*16 PIN	15	16
2*7 PIN	6	7	2*17 PIN	16	17
2*8 PIN	7	8	2*18 PIN	17	18
2*9 PIN	8	9	2*19 PIN	18	19
2*10 PIN	9	10	2*20 PIN	19	20
2*11 PIN	10	11			



RECOMMEND P.C.B LAYOT

-TOLERANCES- UNLESS OTHERWISE SPECIFIED 公差参考表		东莞市龙科电子科技有限公司 DONGGUAN LONGKE ELECTRONICS CO.,LTD :	
X.X ±0.25	X.X° ±3.00°	APPD: 核准:	TITLE: 1.0MM 双排排针 DIP90° 产品品名: 针长1.8 锡脚1.8
X.XX ±0.20	X.XX° ±1.00°	CHECK:dd 校对:	PRODUCT NO: 产品料号: 131-MXX24310-B01
X.XXX ±0.010	X.XXX° ±0.500°	DRAW: 绘图:	DATE: 2013.12.20
			SCALE: 1:1
			UNIT: mm
			TYPE: CD
			PAGE: 1/1