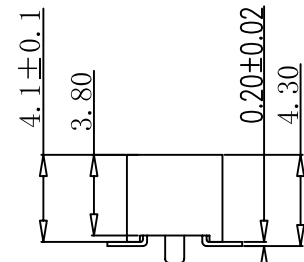
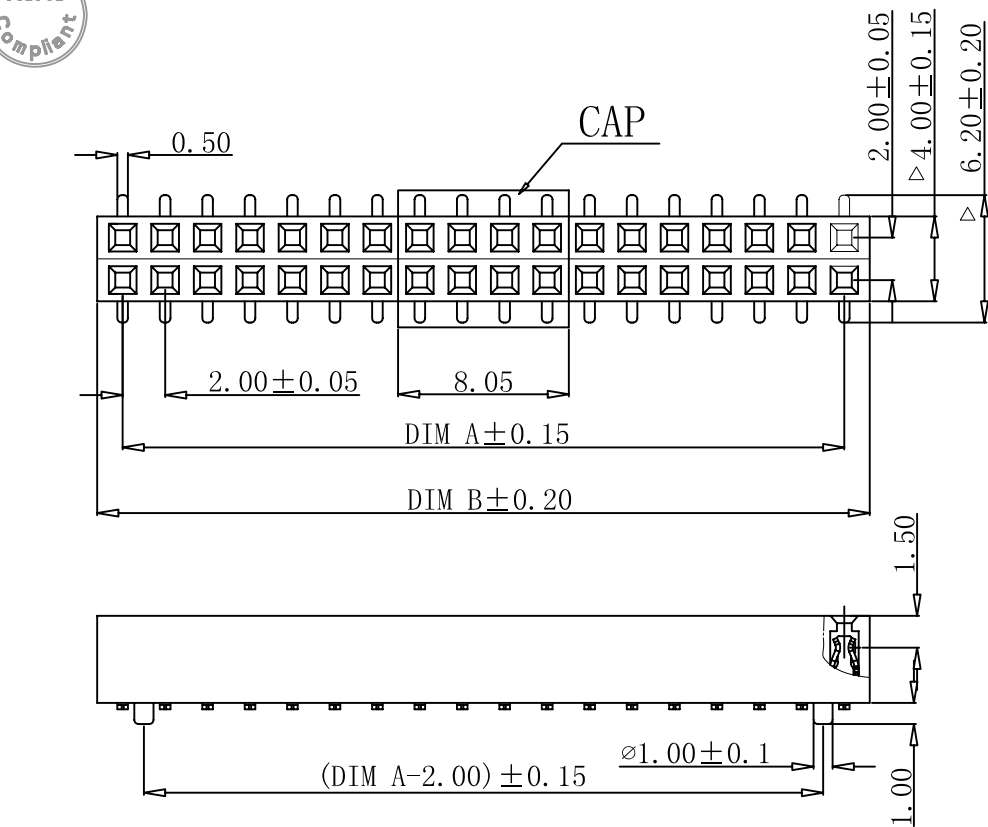
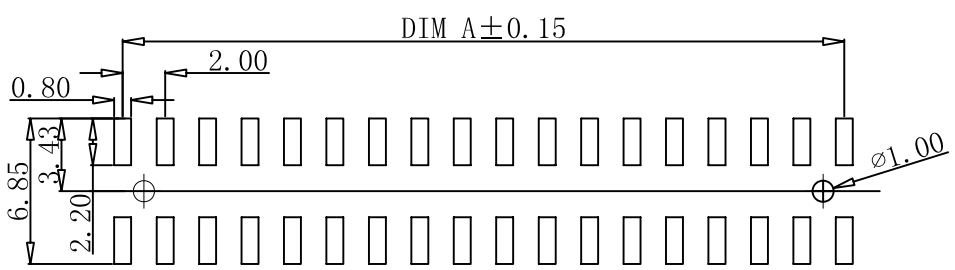
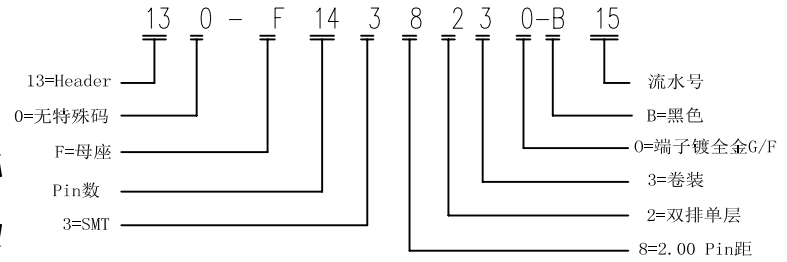




DATE	DR. BY	ECN. NO.	DESCRIPTION	MARK	VER.
3/29' 14			NEW DWG		AO



**SPECIFICATIONS**  
 Current Rating: 1.5 Amp  
 Insulation Resistance: 1000MΩ Min  
 Contact Resistance: 20mΩ  
 Withstanding voltage: AC 500V min  
 Operating Temperature -40°C to +105°C  
**Materials**  
 Contact Material: copper Alloy and GOLD FLASH  
 Insulation Material: polyester. UL94-0 PA6T BLACK  
 Retention force before soldering ≥ 0.8kgf  
 Retention force after soldering ≥ 0.2kgf



RECOMMEND P.C.B LAYOUT

料号	PIN NO.	DIM A	DIM B	料号	PIN NO.	DIM A	DIM B
130-F0438230-B15	2*2	2.00	4.40	130-F3238230-B15	2*16	30.00	32.40
130-F0638230-B15	2*3	4.00	6.40	130-F3438230-B15	2*17	32.00	34.40
130-F0838230-B15	2*4	6.00	8.40	130-F3638230-B15	2*18	34.00	36.40
130-F1038230-B15	2*5	8.00	10.40	130-F3838230-B15	2*19	36.00	38.40
130-F1238230-B15	2*6	10.00	12.40	130-F4038230-B15	2*20	38.00	40.40
130-F1438230-B15	2*7	12.00	14.40	130-F4238230-B15	2*21	40.00	42.40
130-F1638230-B15	2*8	14.00	16.40	130-F4438230-B15	2*22	42.00	44.40
130-F1838230-B15	2*9	16.00	18.40	130-F4638230-B15	2*23	44.00	46.40
130-F2038230-B15	2*10	18.00	20.40	130-F4838230-B15	2*24	46.00	48.40
130-F2238230-B15	2*11	20.00	22.40	130-F5038230-B15	2*25	48.00	50.40
130-F2438230-B15	2*12	22.00	24.40	130-F5238230-B15	2*26	50.00	52.40
130-F2638230-B15	2*13	24.00	26.40	130-F5438230-B15	2*27	52.00	54.40
130-F2838230-B15	2*14	26.00	28.40	130-F5638230-B15	2*28	54.00	56.40
130-F3038230-B15	2*15	28.00	30.40	130-F5838230-B15	2*29	56.00	58.40
				130-F6038230-B15	2*30	58.00	60.40

-TOLERANCES-  
UNLESS OTHERWISE SPECIFIED  
公差参考表

X.X	±0.25	X.X°	±3.00	APPD: 核准:	TITLE: 产品品名: PH2.0 H=4.1mm排母带底柱				
X.XX	±0.20	X.XX°	±1.00	CHECK: dd	DATE	SCALE	UNIT	TYPE	PAGE
X.XXX	±0.10	X.XXX°	±0.50	DRAW: 绘图: 范小飞	2014.03.29	1:1	mm	CD	1/1

产品料号: SEE NOTE

东莞市龙科电子科技有限公司  
DONGGUAN LONGKE ELECTRONICS CO., LTD :



TITLE:  
产品品名: PH2.0 H=4.1mm排母带底柱

PRODUCT NO:  
产品料号: SEE NOTE

DATE	SCALE	UNIT	TYPE	PAGE
2014.03.29	1:1	mm	CD	1/1