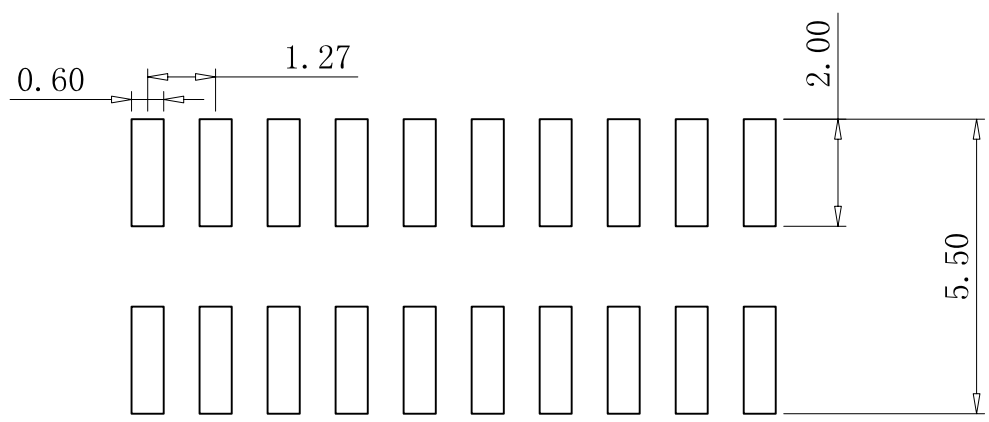
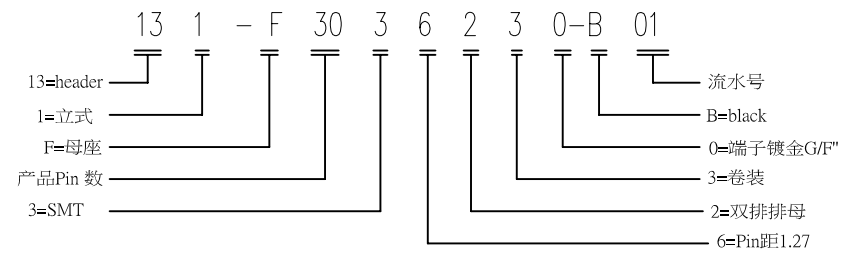
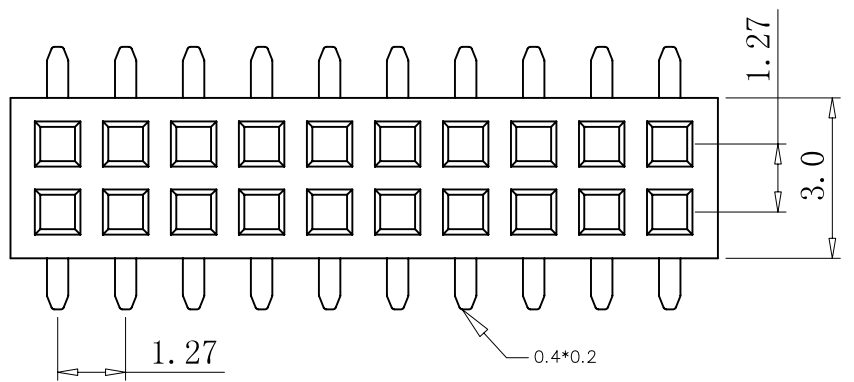
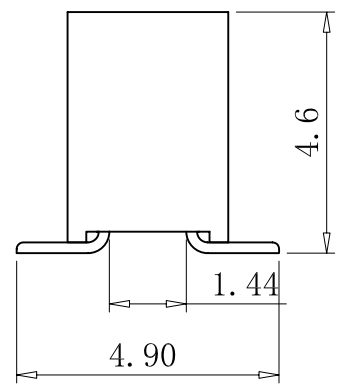
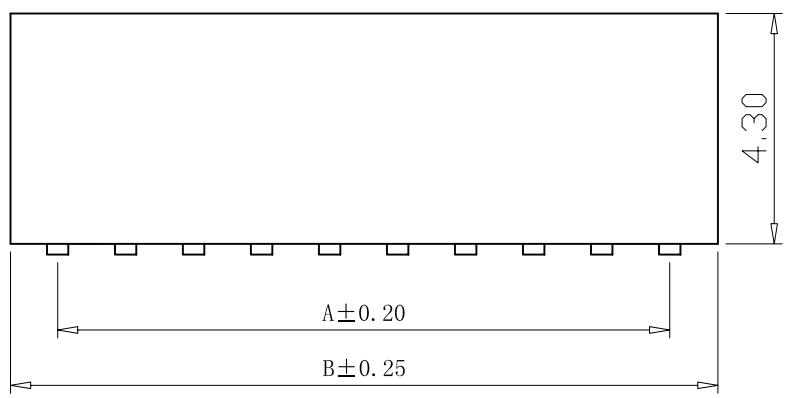




DATE	DR.BY	ECN.NO.	DESCRIPTION	MARK	VER.
01/20'14	MING		NEW DWG		AO

SPECIFICATIONS

Current Rating:1.0 Amp  
 Insulation Resistance:1000MΩ Min  
 Contact Resistance:20mΩ  
 Withstanding voltage: AC 500V min  
 Operating Temperature -40℃ to +105℃  
 Materials  
 Contact Material:copper Alloy and GOLD FLASH  
 Insulation Material:polyester.UL94-0 PA46  
 Retention force before soldering≥0.8kgf  
 Retention force after soldering≥0.2kgf  
 Color:BLACK  
 PART NO.



PIN NO.	料号	Dim A(mm)	Dim B(mm)	PIN NO.	料号	Dim A(mm)	Dim B(mm)
2*2	131-F0436230-B03	1.27	3.05	2*12	131-F2436230-B03	13.97	15.75
2*3	131-F0636230-B03	2.54	4.32	2*13	131-F2636230-B03	15.24	17.02
2*4	131-F0836230-B03	3.81	5.59	2*14	131-F2836230-B03	16.51	18.29
2*5	131-F1036230-B03	5.08	6.86	2*15	131-F3036230-B03	17.78	19.56
2*6	131-F1236230-B03	6.35	8.13	2*16	131-F3236230-B03	19.05	20.83
2*7	131-F1436230-B03	7.62	9.40	2*17	131-F3436230-B03	20.32	22.10
2*8	131-F1636230-B03	8.89	10.67	2*18	131-F3636230-B03	21.59	23.37
2*9	131-F1836230-B03	10.16	11.94	2*19	131-F3836230-B03	22.86	24.64
2*10	131-F2036230-B03	11.43	13.21	2*20	131-F4036230-B03	24.13	25.91
2*11	131-F2236230-B03	12.7	14.48				

-TOLERANCES- UNLESS OTHERWISE SPECIFIED 公差参考表		<b>东莞市龙科电子科技有限公司</b> DONGGUAN LONGKE ELECTRONICS CO., LTD :				
				TITLE: FEMALE HEADER PITCH 产品品名: 1.27*4.3 SMT		
X.X ±0.25	X.X° ±3.00°	APPD: 核准:	PRODUCT NO: 产品料号: 131-FXX36230-B01			
X.XX ±0.20	X.XX° ±1.00°	CHECK: dd 校对:	DATE	SCALE	UNIT	TYPE PAGE
X.XXX ±0.010	X.XXX° ±0.500°	DRAW: 绘图:	2014.01.20	1:1	mm	CD 1/1