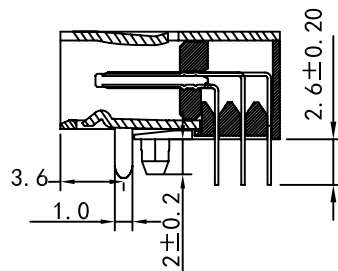
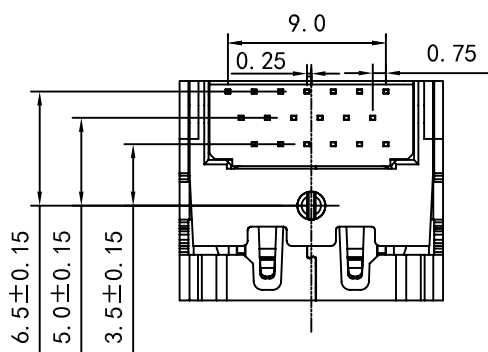
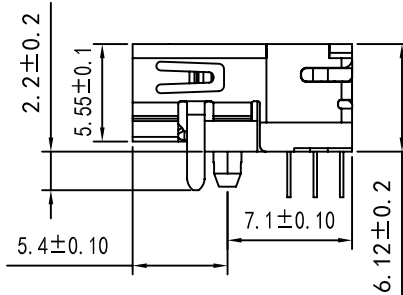
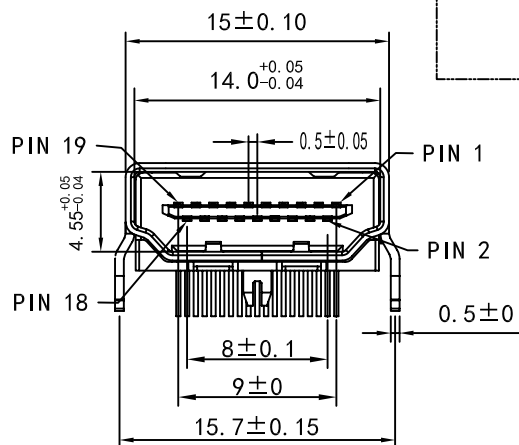


RECOMMENDED PCB LAYOUT (TOP VIEW)
TOLERANCE: $\pm 0.05\text{mm}$



DATE	DR.BY	ECN.NO.	DESCRIPTION	MARK	VER.
12/23'13	VICKY		NEW DWG		AO

NOTE:

1. MATERIAL :

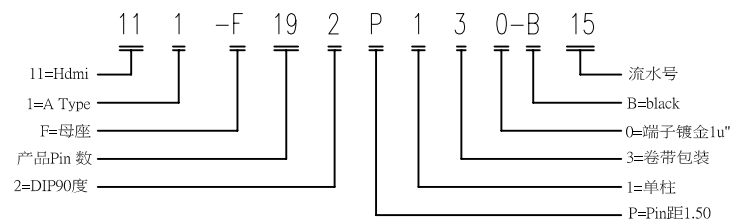
TERMINAL : BRASS C2680-1/2H(HV120~140), T=0.2 \pm 0.02mm.
SHELL : BRASS C2680-EH(HV160~175), T=0.5 \pm 0.02mm.
HOUSING : LCP(E130I)+30% G.F.(UL94-0), BLACK.

2. PLATING :

TERMINAL : Au PLATED ON CONTACT AREA (SEE ORDER INFORMATION),
100 μ " Sn PLATED ON SOLDER TAIL AREA,
BOTH OVER 50 μ " MIN. Ni UNDERPLATED OVERALL.
SHELL : 100 μ " MIN. WELDABLE Ni OVERALL.

3. MECHANICAL CHARACTERISTICS :

INSERTION FORCE : 4.5Kgf MAX.
WITHDRAWING FORCE : 1Kgf ~ 4Kgf.



-TOLERANCES- UNLESS OTHERWISE SPECIFIED 公差参考表		东莞市龙科电子科技有限公司 DONGGUAN LONGKE ELECTRONICS CO.,LTD :	
X.X	± 0.25	X.X°	$\pm 3.00^\circ$
X.XX	± 0.20	X.XX°	$\pm 1.00^\circ$
X.XXX	± 0.10	X.XXX°	$\pm 0.500^\circ$
TITLE: 产品品名: HDMI DIP 90度 单柱		PRODUCT NO: 产品料号: 111-F192P130-B15	
APPD: 核准:	CHECK:dd 校对:	DATE	SCALE
DRAW: 绘图:		UNIT	TYPE
		mm	CD
		2013.12.20	1:1
			PAGE
			1/1