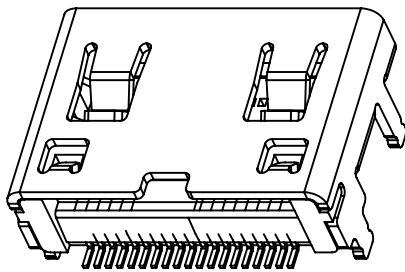
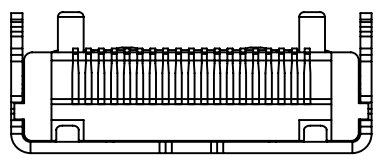
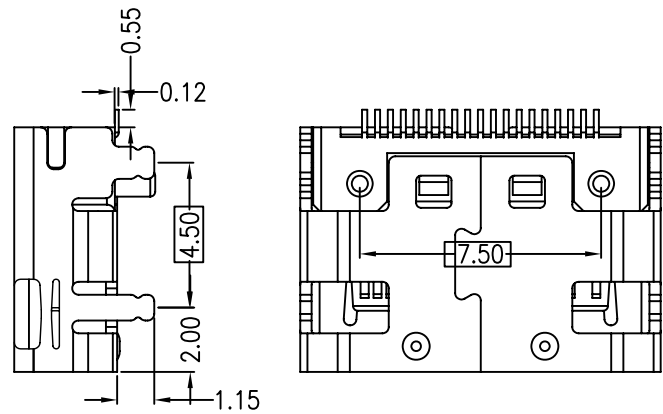
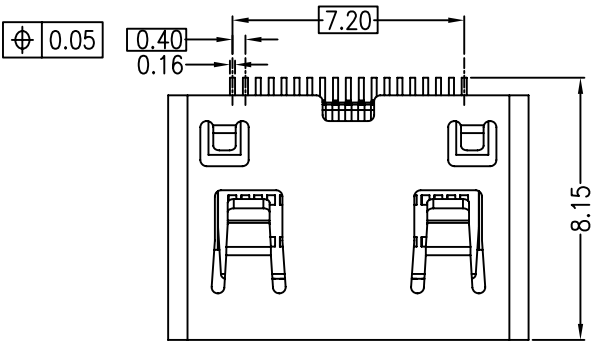




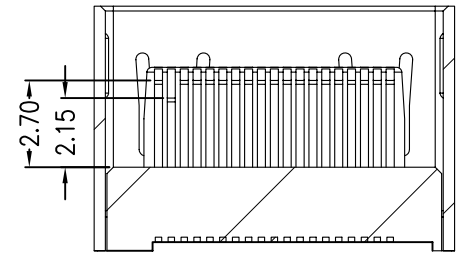
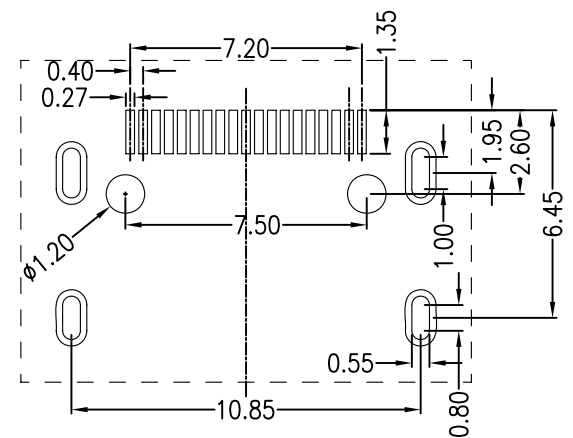
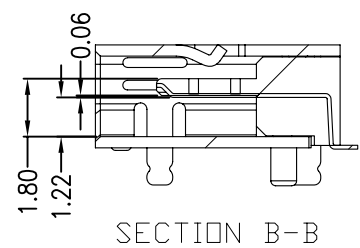
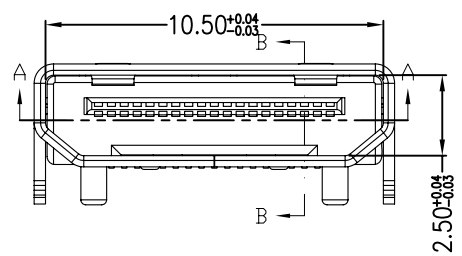
DATE	DR.BY	ECN.NO.	DESCRIPTION	MARK	VER.
12/23'13	VICKY		NEW DWG		AO



NOTES:
 MATERIALS:
 HOUSING:LCP,UL94V-0,BLACK.
 CONTACT:PHOSPHOR BRONZE.
 SHELL:BRASS.
 FINISH:
 CONTACT:GOLD FLASH ON CONTACT AREA.
 100u" MIN.Sn ON SOLDER TAILS.
 50u" MIN.Ni UNDERPLATED ALL OVER.



SHELL:GOLD FLASH/50u" MIN.Nick
 SPECIFICATIONS
 OPERATING CURRENT: 0.5A MAX.
 OPERATION TEMPERATURE: -25°C TO +85°C
 DIELECTRIC WITHSTANDING VOLTAGE:
 500Volts AC BETWEEN ADIACENT TERMINAL(UNMATE)
 300Volts AC BETWEEN ADIACENT TERMINAL(MATE)
 INSULATION RESISTANCE:
 100Mohm MIN.(UNMATED);10Mohm MIN.(MATED)



PART NO.
 113-F1931230-B XX
 13=镀金
 14=镀镍

-TOLERANCES- UNLESS OTHERWISE SPECIFIED 公差参考表		东莞市龙科电子科技有限公司 DONGGUAN LONGKE ELECTRONICS CO.,LTD :	
X.X ±0.25	X.X° ±3.00°	 APPD: 核准:	TITLE: MINI HDMI(C TYPE) 产品品名: F 外壳镀金
X.XX ±0.20	X.XX° ±1.00°	 CHECK:dd 校对:	PRODUCT NO: 产品料号: 113-F1931230-B13
X.XXX ±0.010	X.XXX° ±0.500°	DRAW: 绘图:	DATE: 2013.12.20 SCALE: 1:1 UNIT: mm TYPE: CD PAGE: 1/1