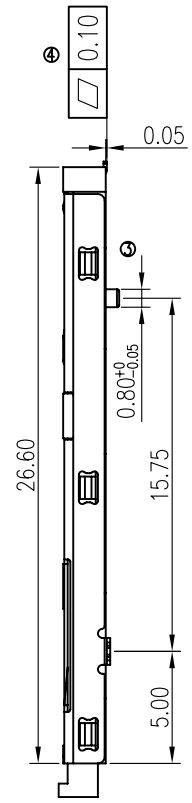
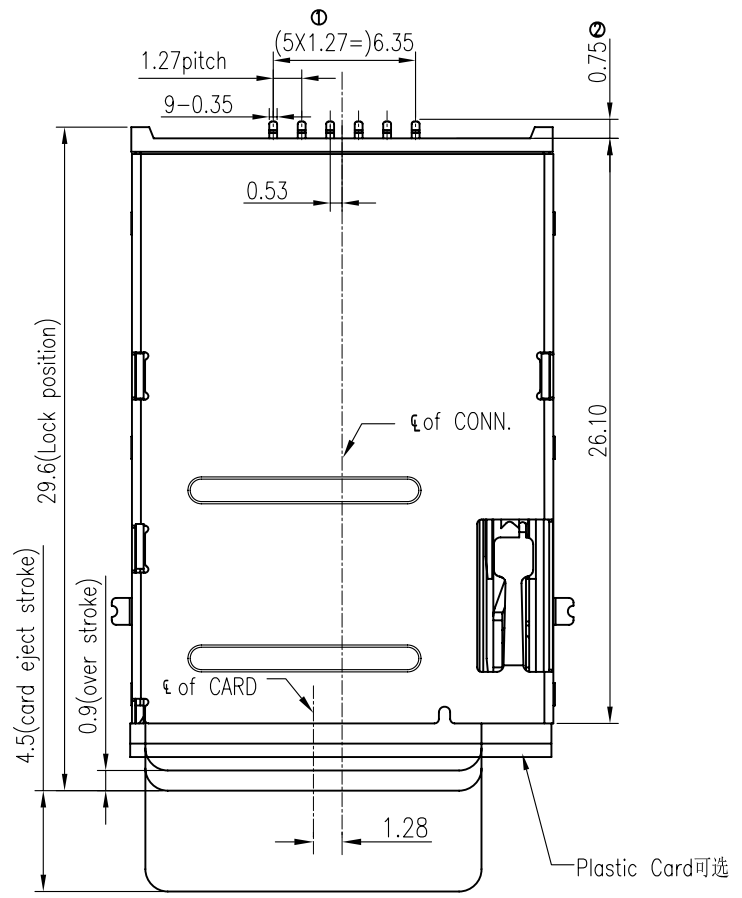


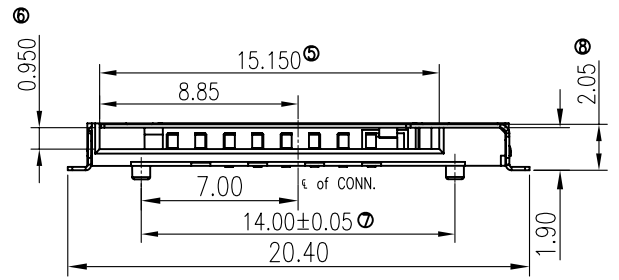


DATE	DR.BY	ECN.NO.	DESCRIPTION	MARK	VER.
3/29'14			NEW DWG		AO



Specification

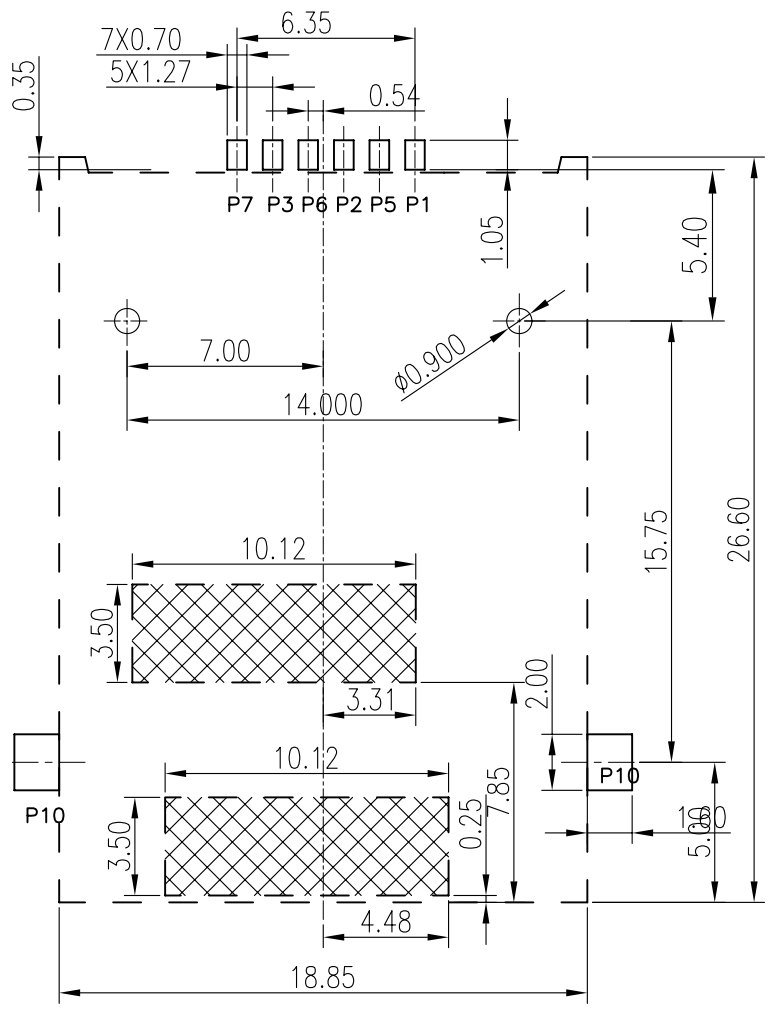
- \* Electrical Characteristics :
- Current Rating:0.5A.
- Withstanding Voltage:AC500V r.m.s.
- Insulation Resistance:1000Megohms Minimum at DC 500V.
- Contact Resistance:100Milliohms Maximum.
- \*Mechanical Characteristics:
- Mating Cycles: 3000 Insertions.
- \* Environmental :
- Operating Temperature:-40°C to +85°C.
- \* Material:
- 1.Housing:HI-Temp plastic UL 94V-0 Rated.
- 2.Contact:Copper Alloy.
- 3.Shell:Copper Alloy.
- \* Plating :
- Terminal:
- Contact area: G/F.
- Solder area: 80u"MIN,matte tin alloy plated.
- under plate: 30u"MIN,nickel.
- Shell:30u"MIN,nickel plated overall
- Solder area:gold flash.
- Can accord with management standards for "environment-related substances to be controlled"



-TOLERANCES- UNLESS OTHERWISE SPECIFIED 公差参考表		<b>东莞市龙科电子科技有限公司</b> DONGGUAN LONGKE ELECTRONICS CO.,LTD :	
			TITLE: 产品品名 : SIM card 6P top push
X.X ±0.25	X.X° ±3.00°	APPD: 核准:	PRODUCT NO: 产品料号 : 197-F063G23H-B06
X.XX ±0.20	X.XX° ±1.00°	CHECK:dd 校对:	DATE SCALE UNIT TYPE PAGE
X.XXX ±0.10	X.XXX° ±0.500°	DRAW: 绘图: 范小飞	2015.03.25 1:1 mm CD 1/1



DATE	DR.BY	ECN.NO.	DESCRIPTION	MARK	VER.
3/29'14			NEW DWG		AO



Connector terminal NO.	Pin NO.
Pin 1	VCC:PWR signal and GND
Pin 2	RST:Reset signal
Pin 3	CLK:Clocking signal
Pin 4	Reserved
Pin 5	GND:PWR signal and GND
Pin 6	VPP:Porgramming Voltage
Pin 7	I/O:Serial date input/output
Pin 8	Reserved
Pin 10	GND

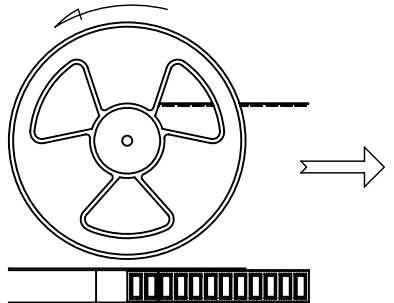
RECOMMEENDER PCB LAYOUT  
TOLERANCE UNLESS OTHERWISE IS  
±0.05



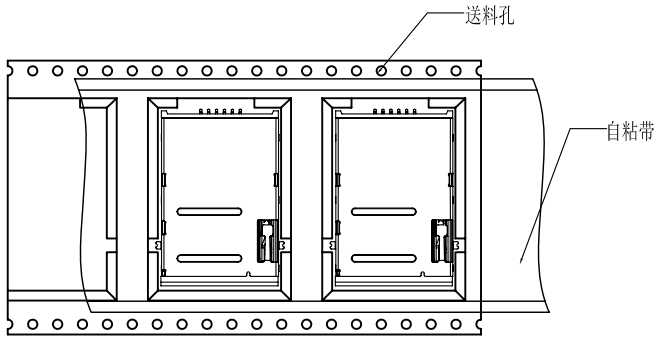
-TOLERANCES- UNLESS OTHERWISE SPECIFIED 公差参考表		东莞市龙科电子科技有限公司 DONGGUAN LONGKE ELECTRONICS CO.,LTD :	
X.X ±0.25	X.X° ±3.00°	TITLE: 产品品名：SIM Card 6P Top Push	
X.XX ±0.20	X.XX° ±1.00°	PRODUCT NO: 产品料号：197-F063G23H-B06	
X.XXX ±0.10	X.XXX° ±0.500°	APPD: 核准: CHECK:dd 校对: DRAW: 绘图: 范小飞	DATE 2015.03.25 SCALE 1:1 UNIT mm TYPE CD PAGE 1/1



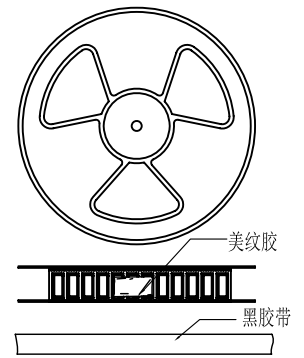
DATE	DR.BY	ECN.NO.	DESCRIPTION	MARK	VER.
3/29'14			NEW DWG		AO



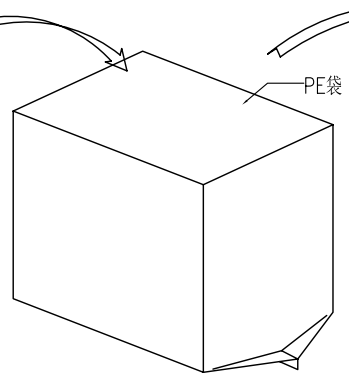
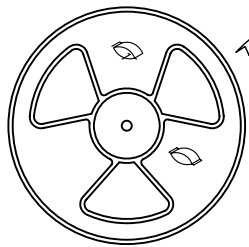
一，收料方向如图，逆时针收料。卷带前后各留10个空位。



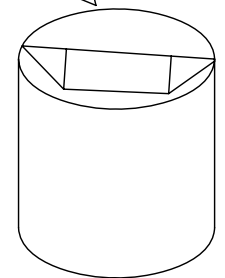
二，产品放置如图。自粘带封装时不可盖住送料孔。



三，每盘包完600PCS后，用美纹胶粘在自粘带上。再用黑胶带把卷包好的产品包起来，用美纹胶粘好。

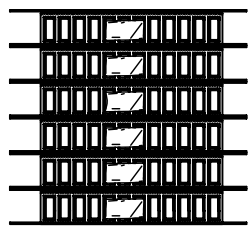
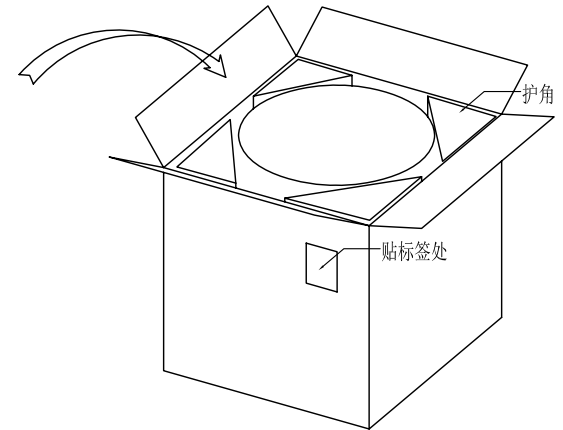


四，拿6卷卷装好的产品，放入PE袋内。每袋放2PCS干燥剂。



外箱尺寸:长X宽X高 = 350\*350\*340m

五，将封好的PE袋装入纸箱内，每个转角处放一个护角，用Tape将纸箱封实。标签贴在纸箱侧麦右上方。



-TOLERANCES- UNLESS OTHERWISE SPECIFIED 公差参考表				<b>东莞市龙科电子科技有限公司</b> DONGGUAN LONGKE ELECTRONICS CO.,LTD :						
						TITLE: 产品品名：SIM card 6P top push				
X.X	±0.00	X.X°	±0.00°	APPD: 核准：		PRODUCT NO: 产品料号：197-F063G23H-B06				
X.XX	±0.00	X.XX°	±0.00°	CHECK: 校对：		DATE	SCALE	UNIT	TYPE	PAGE
X.XXX	±0.00	X.XXX°	±0.00°	DRAW: 绘图：范小飞		2015.03.25	1:1	mm	CD	1/1