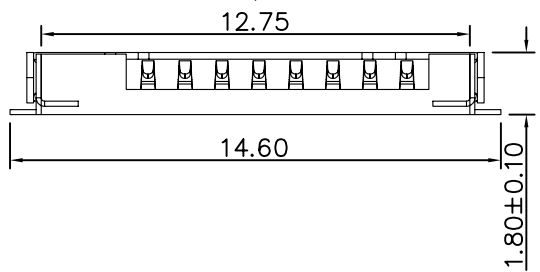
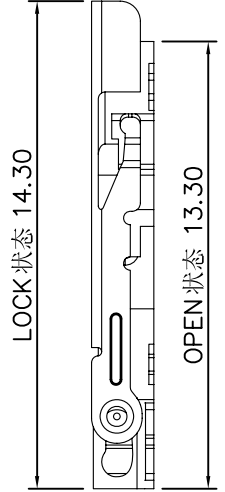
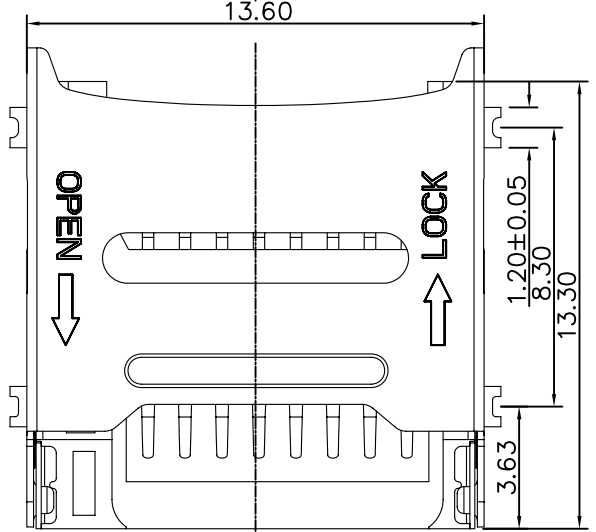
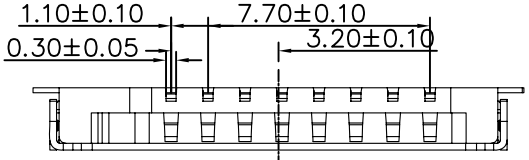
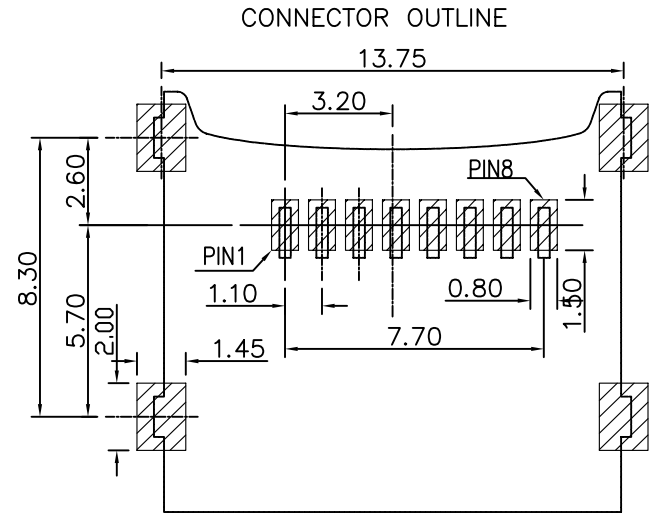
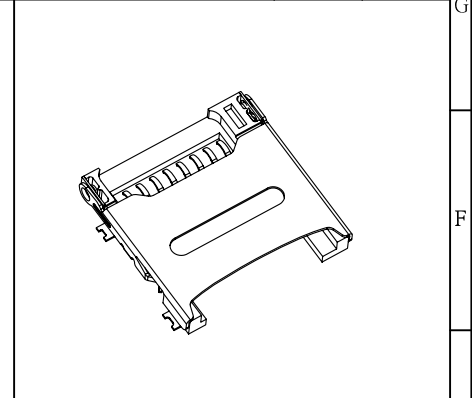




DATE	DR.BY	ECN.NO.	DESCRIPTION	MARK	VER.
3/29'14			NEW DWG		AO



PIN NO.	PIN Assignmeng
PIN 1	DAT 2
PIN 2	CD/DAT3
PIN 3	CMD
PIN 4	VDD
PIN 5	CLK
PIN 6	Uss2
PIN 7	DATO
PIN 8	DAT1



TECOMMENDED PCB LAYOUT
TOLERANCE: +/-0.05 (TOP VIEW)

NOTE:
 1.Material:
 Housing:High Temperature Thermoplastic UL94V-0 Black
 Contacts:Copper Alloy T=0.15+/-0.02mm
 Shell:Stainless steel T=0.20+/-0.02mm
 2.Finish:
 Contacts:Gold Flash Plated on Contact Area 80u"Min Sn
 Plated on Solder Area Both 30u"Min Ni Underplated Overall

3.SPECIFICATIONS:
 Current Rating:1.0A
 Operating Voltage :250V
 Contact Resistance:30mΩ Max
 Insulation Resistance:1000MΩ Min
 Dielectric Withstanding Voltage:500VAC/1minute
 Temperature:-20°C to +85°C

-TOLERANCES- UNLESS OTHERWISE SPECIFIED 公差参考表		东莞市龙科电子科技有限公司 DONGGUAN LONGKE ELECTRONICS CO.,LTD :							
		TITLE: 产品品名 : TF CARD 掀盖式1.8H							
X.X	±0.25	X.X°	±3.00°	APPD: 核准:	PRODUCT NO: 产品料号 : 197-F083K33H-B05				
X.XX	±0.20	X.XX°	±1.00°	CHECK:dd 校对:	DATE	SCALE	UNIT	TYPE	PAGE
X.XXX	±0.10	X.XXX°	±0.500°	DRAW: 绘图: 范小飞	2015.03.25	1:1	mm	CD	1/1