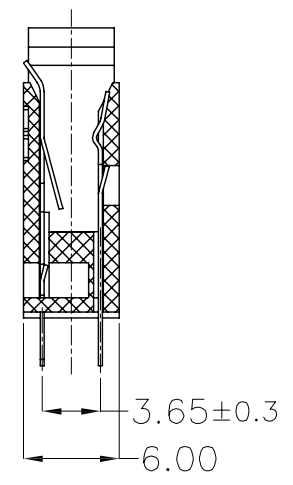
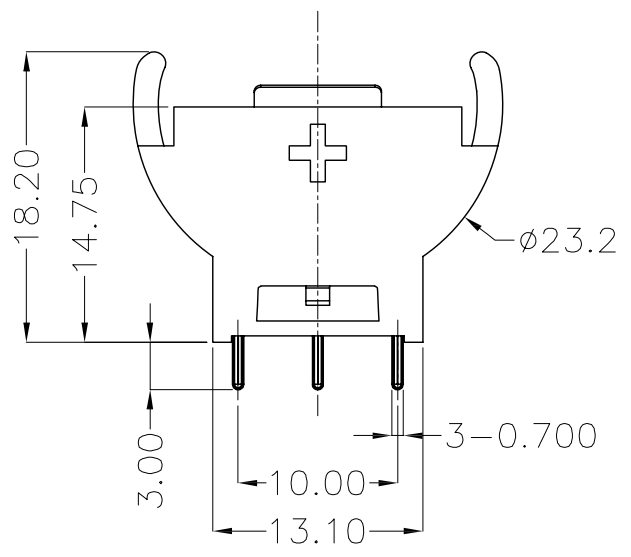
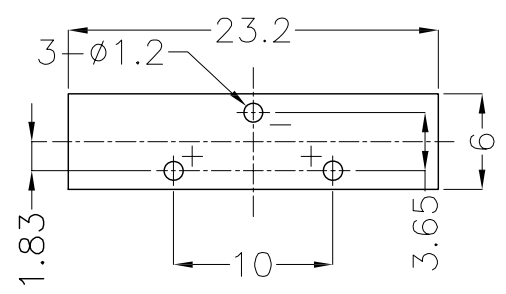
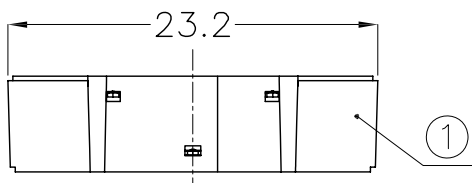


7	DATE	DR.BY	ECN.NO.	DESCRIPTION	MARK	VER.
	3/29'16			NEW DWG		AO

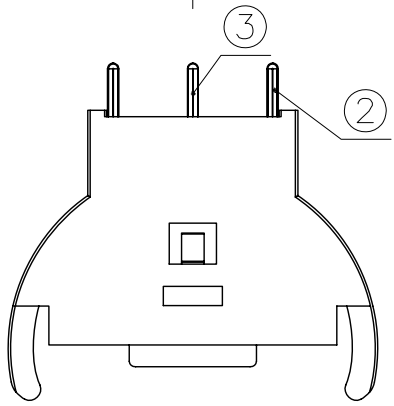
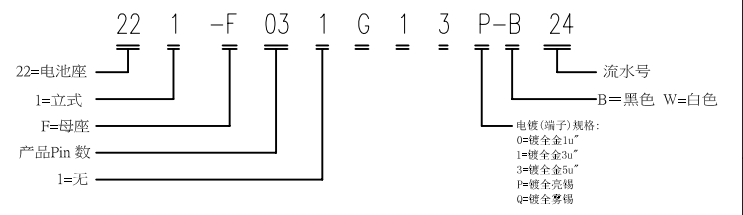


NOTE:

- 1.MATERIAL:
 - a.HOUSING:PA66 UL94V-0
 - b.CONTACT:BRASS
(SURFACE PLATING: Ni 100u"-120u")
SEE ORDERING INFORMATION
- 2.ELECTRIC:
 - a.CONTACT RESISTANCE: 30 MILLIOHMS MAX
 - b.INSULATION RESISTANCE: 1000 MEGA OHMS MIN
 - c.DIELECTNIC VOLTAGE: 500V AC ONE SEC LEVEL
 - d.OPERATING TEMPERATURE: -25°C~ +85°C
 - e.ADAPTIVE BATTERY MODEL : CR2032.



PCB Layout Diagram
Top View



3	TERMINAL(-)	1	BRASS, T=0.25mm	Ni Plating
2	TERMINAL(+)	1	BRASS, T=0.25mm	Ni Plating
1	HOUSING	1	PA66	BLACK
NO.	PART NAME	Q'TY	MATERIAL	PLATING & COLOR

-TOLERANCES- UNLESS OTHERWISE SPECIFIED 公差参考表		东莞市龙科电子科技有限公司 DONGGUAN LONGKE ELECTRONICS CO.,LTD.	
		TITLE: 电池座	
		PRODUCT NO: 221-F031G13P-B24	
X.X ±0.25	X.X° ±3.00°	APPD: 核准:	DATE SCALE UNIT TYPE PAGE
X.XX ±0.20	X.XX° ±1.00°	CHECK:dd 校对:	2016.03.29 1:1 mm CD 1/1
X.XXX ±0.10	X.XXX° ±0.500°	DRAW: 罗求新 绘图:	