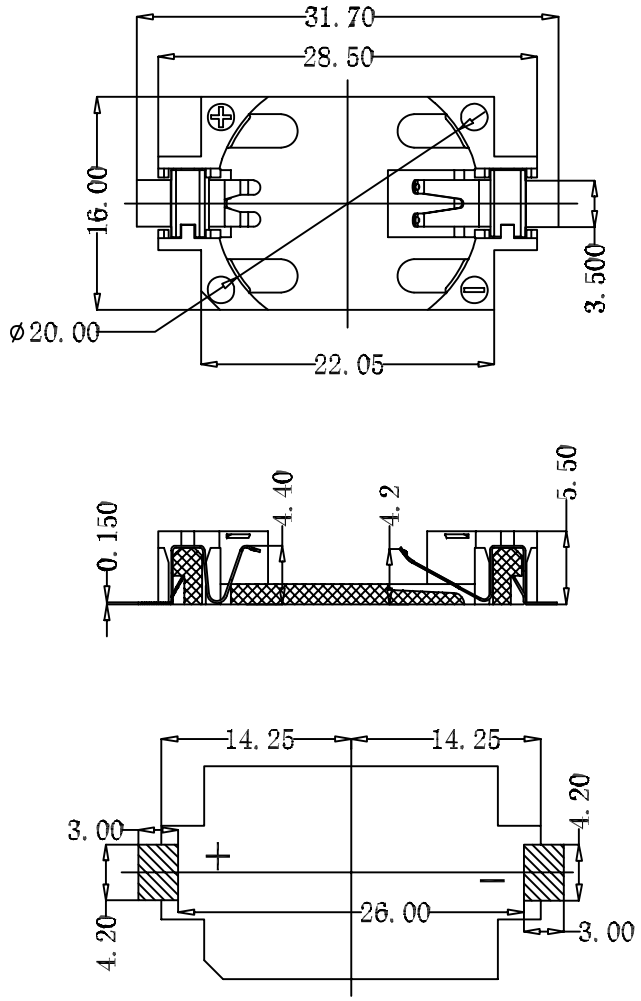


DATE	DR.BY	ECN.NO.	DESCRIPTION	MARK	VER.
3/29'16			NEW DWG		AO

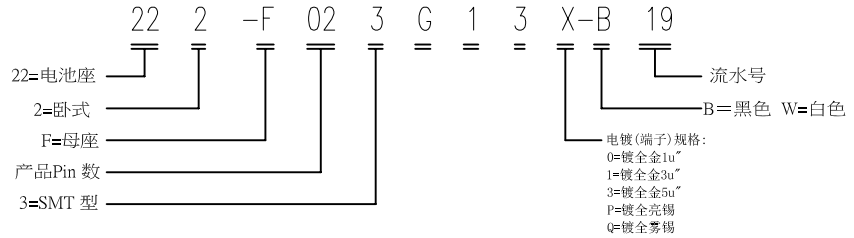


PCB Layout Diagram  
Top View

NOTE:

- MATERIAL:
  - a. HOUSING: THERMOPLASTIC GLASS FIBRE UL94V-0
  - b. CONTACT: PHOSPHOR BRONZE (SURFACE PLATING: A\*U")
- ELECTRIC:
  - a. CONTACT RESISTANCE: 30 MILLIOHMS MAX
  - b. INSULATION RESISTANCE: 1000 MEGA OHMS MIN
  - c. DIELECTNIC VOLTAGE: 500V AC ONE SEC LEVEL
  - d. OPERATING TEMPERATURE: -25° C ~ +85° C

SEE ORDERING INFORMATION



NO.	PART NAME	Q' TY	MATERIAL	PLATING & COLOR
3	TERMINAL (-)	1	PHOSPHOR BRONZE, T=0.15MM	GOLD/SIN PLATING
2	TERMINAL (+)	1	PHOSPHOR BRONZE, T=0.15MM	GOLD/SIN PLATING
1	HOUSING	1	LCP	WHITE

-TOLERANCES- UNLESS OTHERWISE SPECIFIED 公差参考表				东莞市龙科电子科技有限公司 DONGGUAN LONGKE ELECTRONICS CO.,LTD :	
X.X	±0.25	X.X°	±3.00°	APPD: 核准:	TITLE: 产品品名: 电池座
X.XX	±0.20	X.XX°	±1.00°	CHECK:dd 校对:	PRODUCT NO: 产品料号: 222-F023G13X-W19
X.XXX	±0.10	X.XXX°	±0.500°	DRAW: 绘图: 罗求新	DATE: 2016.03.29
				SCALE: 1:1	UNIT: mm
				TYPE: CD	PAGE: 1/1