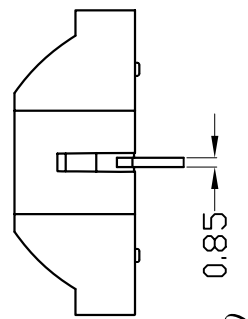
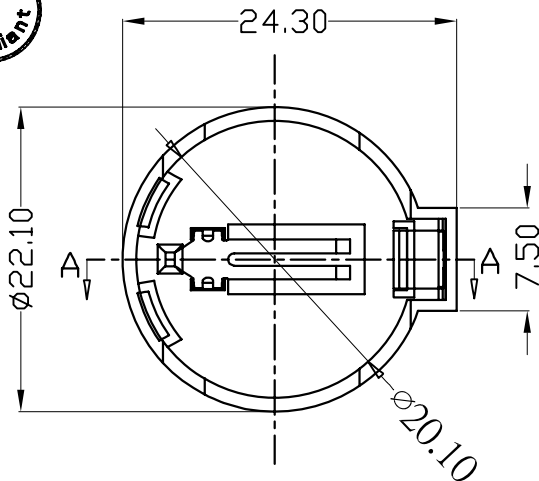
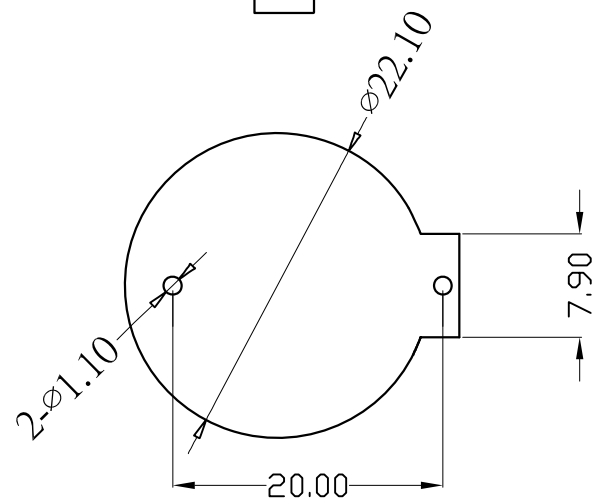
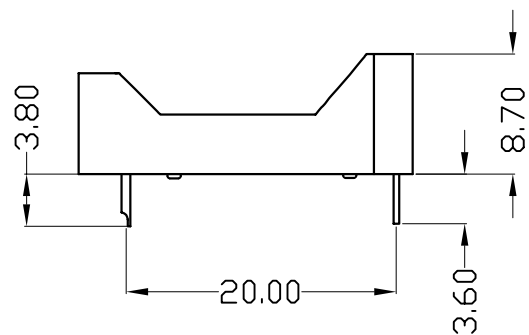


DATE	DR.BY	ECN.NO.	DESCRIPTION	MARK	VER.
8/29'14			NEW DWG		AO



NOTE:

- 1.MATERIAL:
  - a.HOUSING:TEHRMOPLASTIC GLASS FIBRE UL94V-0
  - b.CONTACT:BRASS  
CONTACT:MATTE TIN 100u" PLATED OVER,  
30u" NICKEL UNDER PLATING ALL OVER.
- 2.ELECTRIC:
  - a.CONTACT RESISTANCE:30 MILLIOHMS MAX
  - b.INSULATION RESISTANCE:1000 MEGA OHMS MIN
  - c.DIELECTNIC VOLTAGE:750V AC ONE SEC LEVEL
  - d.OPERATING TEMPERATURE:-55°C~+85°C

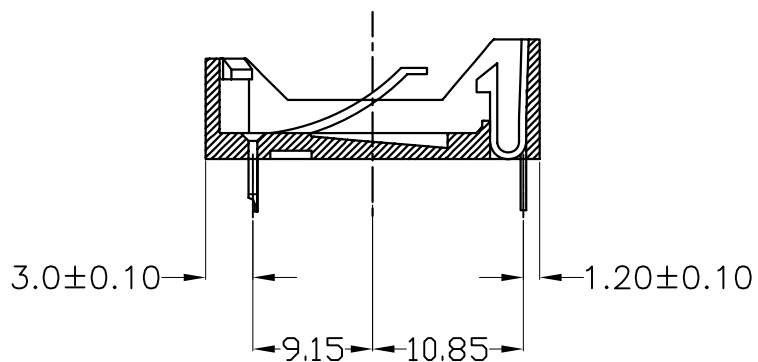


PCB LAYOUT

PART NO.

221-F021G0 X X -B01

- A=端子镀半锡
- P=端子镀全锡
- 1=真空盒包装
- 4=纸盒包装



SECTION A-A

-TOLERANCES- UNLESS OTHERWISE SPECIFIED 公差参考表				东莞市龙科电子科技有限公司 DONGGUAN LONGKE ELECTRONICS CO.,LTD :				
		TITLE: 产品品名 : 2Pin 电池座卧式 DIP		PRODUCT NO: 产品料号 : 221-F021G01P-B01				
X.X ±0.25	X.X° ±3.00°	APPD: 核准:	DATE		SCALE	UNIT	TYPE	PAGE
X.XX ±0.20	X.XX° ±1.00°	CHECK:dd 校对:	2014.08.29	1:1	mm	CD	1/1	
X.XXX ±0.10	X.XXX° ±0.500°	DRAW: 绘图: XIAO FEI						